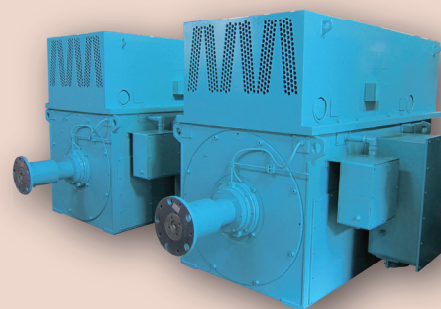
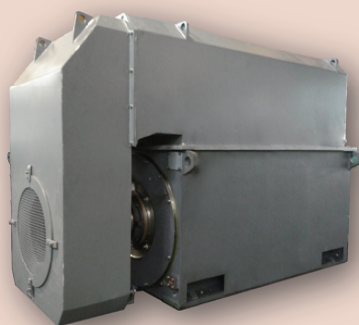
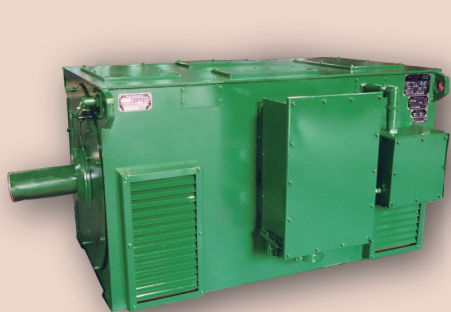
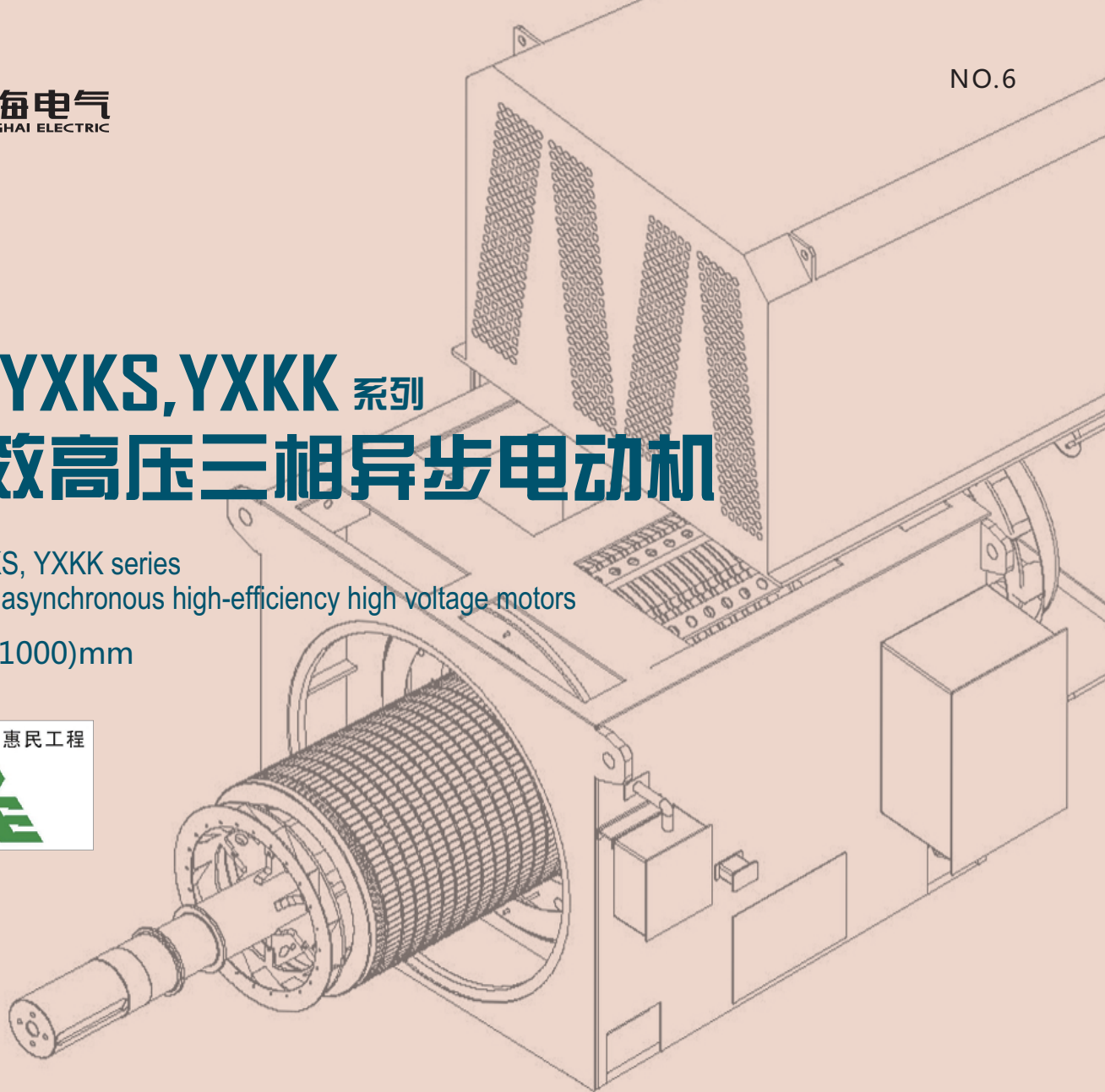


YX, YXKS, YXKK 系列 高效高压三相异步电动机

YX, YXKS, YXKK series
3-phase asynchronous high-efficiency high voltage motors
(H355-1000)mm

节能产品 惠民工程



目录 Contents

一、概述 GENERAL	01
二、型号说明 DESIGNATION OF CODE	02
三、结构简介 INTRODUCTION OF STRUCTURE	02
四、技术优势 TECHNICAL ADVANTAGES	03
五、电动机的启动 STARTING OF MOTOR	05
六、订货须知 ORDERING INFORMATION	06
七、特殊要求 SPECIAL REQUIREMENTS	06
八、YX、YXKS系列主要技术数据 (6kV) YX, YXKS SERIES TECHNICAL DATA (6kV)	07
YX、YXKS系列三相异步电动机技术数据表 (6kV 50Hz 2极-16极)	
YX, YXKS Series 6kV 50Hz 2-16 Poles Three-phase Asynchronous Motors Technical Data	
九、YXKK系列主要技术数据 (6kV) YXKK SERIES TECHNICAL DATA (6kV)	11
YXKK系列三相一般电动机技术数据表 (6kV 50Hz 2极-16极)	
YXKK Series 6kV 50Hz 2-16 Poles Three-phase Asynchronous Motors Technical Data	
十、YX、YXKS系列主要技术数据 (10kV) YX, YXKS SERIES TECHNICAL DATA (10kV)	15
YX、YXKS系列三相一般电动机技术数据表 (10kV 50Hz 2极-16极)	
YX, YXKS Series 10kV 50Hz 2-16 Poles Three-phase Asynchronous Motors Technical Data	
十一、YXKK系列主要技术数据 (10kV) YXKK SERIES TECHNICAL DATA (6kV)	19
YXKK系列三相一般电动机技术数据表 (10kV 50Hz 2极-16极)	
YXKK Series 10kV 50Hz 2-16 Poles Three-phase Asynchronous Motors Technical Data	
十二、外形及安装尺寸图 OUTLINE AND MOUNTING DIMENSION	23
1. YX系列电动机外形及安装尺寸图 (H355~H630, 极数2~12)	
YX Series Outline and Mounting dimension (H355~H630, Poles 2~12)	
2. YX系列电动机外形及安装尺寸图 (H710~H1000, 极数4~16)	
YX Series Outline and Mounting dimension (H710~H1000, Poles 4~16)	
3. YXKS系列电动机外形及安装尺寸图 (H355~H630, 极数2~12)	
YXKS Series Outline and Mounting dimension (H355~H630, Poles 2~12)	
4. YXKS系列电动机外形及安装尺寸图 (H710~H1000, 极数4~16)	
YXKS Series Outline and Mounting dimension (H710~H1000, Poles 4~16)	
5. YXKK系列电动机外形及安装尺寸图 (H355~H630, 极数2~12)	
YXKK Series Outline and Mounting dimension (H355~H630, Poles 2~12)	
6. YXKK系列电动机外形及安装尺寸图 (H710~H1000, 极数4~12)	
YXKK Series Outline and Mounting dimension (H710~H1000, Poles 4~12)	
7. YXKK系列电动机外形及安装尺寸图 (H710~H1000, 极数16)	
YXKK Series Outline and Mounting dimension (H710~H1000, Poles 16)	
十三、电动机空载的振动限值 NO-LOAD MOTOR VIBRATION LIMITS	27
十四、电动机负载的振动限值 LOADED MOTOR VIBRATION LIMITS	28
十五、电动机空载噪音限值 MOTOR NOISE LIMITS	29
十六、电动机防护等级 (IP) PROTECTION DEGREE (IP)	30
十七、电动机冷却方式 (IC) COOLING METHOD (IC)	31
十八、电动机色标 MOTOR COLOR CODE	32
十九、系列说明 SERIES DESCRIPTION	33
二十、电动机结构示意图 GENERAL ASSEMBLY DRAWING	34

一.概述

YX系列、YXKS系列、YXKK系列高效高压三相异步电动机(H355-1000)mm是本公司21世纪的最新产品,是我公司在充分消化吸收国外引进技术的基础上,结合本公司60余年稳定的高压三相异步电动机的设计制造经验,采用我公司成熟的少胶VPI绝缘系统和最先进的分析手段,自主开发的高效节能系列电动机产品。

本系列电动机具有高可靠性、高效节能、高功率密度、振动小、噪声低、堵转电流低、拖动负载转动惯量大、结构紧凑、防护等级高(IP55)、安装维护方便等诸多优点。

本系列电动机用于驱动各种通用机械,如鼓风机、压缩机、水泵、破碎机、皮带机及其它机械设备,在电力、冶金、造纸、矿山、水利、机械等各种工矿企业中作原动机。

GENERAL DESCRIPTION

YX, YXKS and YXKK series 3 phase HV electrical motors are premium efficiency products with resin poor VPI insulation. The products are developed by SEMC in 21st century with advanced technology and on the basis of rich experiences accumulated over 6 decades.

The motor features high reliability, energy efficient, high power density, low vibration, low locked rotor current, high load inertia, higher protection (IP55) and compact construction easy for installation and maintenance.

The motor can be applied to drive blower, compressor, pump, crusher, belt conveyor and various other machines in industries of power generation, metal and paper processing, mining and water projects.

性能特性 Characteristics	YX系列 YX Series	YXKS系列 YXKS Series	YXKK系列 YXKK Series	执行标准 Executive Standards
工作制类型 Duty type	连续工作制 (S1) Continuous duty (S1)			GB 755 IEC 60034-1
防护等级 IP code	IP23	IP55	IP55	GB 4942-1 IEC 60034-5
冷却方式 IC method	IC01	IC81W	IC611 IC666	GB 1993 IEC 60034-6
安装方式 IM method	IMB3 (IM1001)			GB/T 997 IEC 60034-7
振动限值 (空载) Motor Vibration limits (No-Load)	见37页《十三、电动机空载的振动限值》 See page 37. <13. No-Load Motor Vibration limits>			GB 10068 IEC 60034-14
振动限值 (负载) Motor Vibration limits (Loaded)	见38页《十四、电动机负载的振动限值》 See page 38. <14. Loaded Motor Vibration limits>			GB/T 6075.3 ISO 10816-3
噪音限值 (空载) Motor Noise limits (No-Load)	见39页《十五、电动机空载的噪音限值》 See page 39. <15. No-Load Motor Noise limits>			GB 10069.3 IEC 60034-9



二.型号说明

DESIGNATION OF CODE

YXKK 710—6

YX	产品代号，表示高效三相异步电动机 Production code: high efficiency 3-phase asynchronous motor
710	电动机轴中心高 (mm) motor shaft center height (mm)

KK	电机冷却代号，表示封闭带空空冷却器的异步电动机 Cooling code: air to air cooling
6	极数 poles

三.结构简介

本系列电动机采用箱式结构，机座采用钢板焊接而成，重量轻、刚度好。机座顶部及两侧面均有窗孔，可以安装防护罩及盖板，拆下防护罩或盖板后可以观察电机内部，便于现场维护保养。轴承有端盖式球面滑动轴承和滚动轴承两种结构，根据电动机功率大小和转速而定。采用端盖式球面滑动轴承的电动机，润滑方式为强迫油润滑，允许转子在一定范围内轴向浮动，但电动机转子应通过被驱动设备上的限位装置进行轴向定位。采用滚动轴承的电动机设有不停机注排油装置。

转子采用铜排结构，转子铜排具有焊接性能好、强度高的特点，转子铜排和端环采用先进可靠的焊接工艺，并经专用的转子铜排滚挤机在槽口处对铜排进行紧固处理，相比于铸铝转子，最大程度地避免了转子断排的可能性。

定子绕组、轴承均带双支铂电阻测温元件，分度号为Pt100，绕组每相两只共六只，轴承每端一只。

电动机带防潮加热器（停机用），对于H355~630mm中心高电动机，全部采用磁性槽楔。

主出线盒防护等级为IP55，一般装于电动机右侧（面向电动机主轴伸端看），也可按订货要求装于电动机左侧。

STRUCTURAL DESCRIPTION

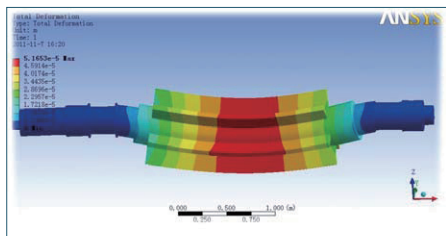
The motor is of fabricated steel box construction, with good rigidity and low weight. Openings for mounting protection shields and covers are cut on the top and both sides of the stator frame. By removing these shields and covers, the interior of the motor can be inspected or maintained. Bracket mounted self-aligned sleeve bearing or anti-friction bearing can be selected appropriate to motor's power and speed. The motor with sleeve bearing is lubricated with forced flood oil and its rotor has an end play and shall be axially locked by the driven machine. The motor with anti-friction bearing is equipped with grease draining port workable when the motor is running.

The rotor adopt copper cage construction, composed of bars and end rings brazed with proven technique. In comparison with aluminum cage, the copper cage is more robust. Copper bars are swaged in the slots to minimize the possibility of breakage.

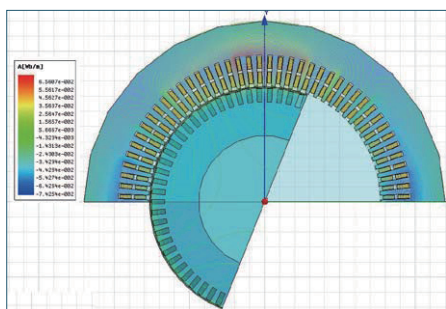
Dual element PT100 RTDs are equipped, six for stator winding, two per phase, and one for each bearing. Space heater for anti-condensation purpose is available. For motor with center height between H355-630, magnetic wedges are adopted.

The main terminal box, protection of which is IP55, is located on the right side (view towards the main driving end) and opposite location is realizable if requested when placing order.

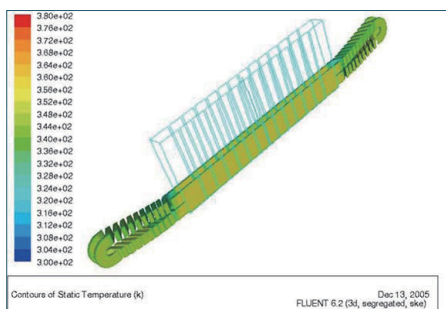
四.技术优势 TECHNICAL ADVANTAGES



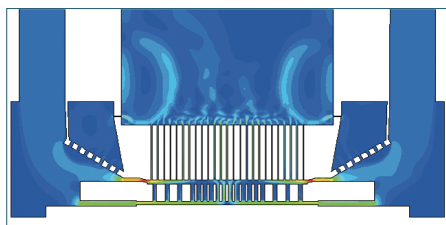
轴系分析
Shaft analysis



磁场分析
Magnetic field analysis



绕组温度分析
Winding temperature analysis



电机内部流场分析
Motor internal flow field analysis

1.高可靠性

HIGH RELIABILITY

本系列电动机开发采用先进的计算程序进行电磁计算，并采用有限元分析手段对电动机的电磁场、温度场、结构等进行仿真分析计算，引入了全新的设计理念，结合本公司长期积累的高压三相异步电动机的设计制造经验，使得电动机的电磁设计、温度分布、结构设计、风路设计更趋合理，提高了电动机的整体性能及运行可靠性。

By combining new design concept and rich experience accumulated in design and manufacture of 3 phase HV electrical motors, the electric-magnetic calculation and other aspects of motor design, like thermal distribution, construction and ventilation, have been optimized, offering improved overall performance and more operation reliability. Advanced calculation programs and finite element analysis tools are utilized in the optimization.

2.高效节能

ENERGY EFFICIENT

电动机效率满足GB 30254-2013《高压三相笼型异步电动机能效限定值及能效等级》中的规定，体现了本系列高效节能的技术特点。

以YXKS800-6 7100kW 6kV电动机为例，按照国标效率96.6%，采用本系列设计后，效率由原来的96.6%提高到97.3%，以工业用电每度0.8元计，按8000小时/年计算可节约电费：

The motor efficiency meet the requirement in GB 30254-2013<Minimum allowable values of efficiency and the energy efficiency grades for cage three-phase high voltage induction motor>. For instance YXKS 800-6 7100kW 6kV motor, efficiency from 96.6% up to 97.3%, in case of 0.8 Yuan (RMB) per kWh, We Can Save electricity fee:

$$\left(\frac{7100}{0.966} - \frac{7100}{0.973} \right) \text{千瓦} \times 8000 \text{小时/年} \times 0.8 \text{元} = 33 \text{万元}$$

(kW) (hours/year) (RMB) (330000RMB)

3.高功率密度

HIGH POWER DENSITY

采用了先进的设计方法并经样机进行验证，提高了有效空间利用率，电动机额定输出功率更大，机座号明显降低，结构紧凑，功率密度高。

By utilizing advanced design technique, the space availability is improved, resulting in more power output, lower frame size, compact construction and higher power density, which are validated by the prototype tests.

4.低噪声

LOW NOISE

采用先进可靠的设计程序对电动机的电磁噪声进行分析计算，确保电动机噪声更低。The utilization of advanced design programs and analysis tools ensure a low noise level of the motor.

5.模块化设计

MODULAR DESIGN

本系列电动机的开发，形成一整套模块化设计制造流程。通过模块化电动机设计制造理念的推行，优化了电动机设计制造，在确保每道工序生产质量的前提下，缩短了电动机的生产制造周期。

The motor is developed with modular concept, which optimize the process of design and manufacture and shorten the leading time without compromise on product quality.

6. 一流的绝缘系统

TOP CLASS OF INSULATION SYSTEM

本系列电动机采用本公司多年试验研究的成熟的F级少胶绝缘系统，各项绝缘性能得到了全面提升， $\text{tg } \delta$ -电压特性、 $\text{tg } \delta$ -温度特性、弯曲强度、击穿电压试验、热老化、电老化试验数据均表明，该绝缘系统达到世界一流水平。常态介质损耗低，高温介质损耗低，整机泄漏电流低，热老化电压下降率低是本系列绝缘系统的四大优势。绝缘系统符合环保要求。

The motor adopts proven F class resin poor insulation system developed by SEMC. Characteristics of insulation system, $\text{tg } \delta$ - voltage, $\text{tg } \delta$ - temperature, bending strength, breakdown voltage test and heat aging, are proven to be the at the top level of the best insulation systems in the world. Among other things, the system also features lower dielectric losses at normal and high temperatures, lower leaking current of completed motor and lower thermal aging voltage drop. The insulation satisfies the requirement of environment protection.

7. 先进的制造工艺

ADVANCED MANUFACTURING

本系列电动机采用高精度冲片制造工艺，数控线圈制造工艺（线圈的绕线、包带及成型），定子接头的电阻焊、转子端环中频焊接工艺，转子铜排数控胀紧工艺，全过程自动的真空度、压力、温度监控以及绕组静容量监测的VPI浸漆，机座一次装夹双面镗加工，转轴加工中心加工工艺，转子高精度高速动平衡校验等，确保了电动机的制造质量。

线圈制造及定子嵌线在全封闭、恒温、恒湿的线圈车间完成，在数控绕线机、数控拉型机及数控包带机上完成线圈制作的每道工序，下线后经VPI处理，保证了电动机绝缘性能优良可靠，机械强度高，防潮能力强。

Precision punching, CNC coil process (winding, taping and spreading), resistor welding, rotor cage induction brazing, copper bar swaging, VPI process, stator frame and shaft machining center, high speed precision rotor balancing and etc., with all of these means, the quality of product is ensured.

Coil making and winding processes are completed in air conditioned facilities. The wound stator core then undergoes a Vacuum Pressure Impregnation (VPI) process for rigidity and added protection against moisture.



五.电动机的起动

本系列电动机采用了先进的计算分析技术对电动机起动过程中每一点的定子绕组温度、转子铜排温度、端环温度等进行了详细的计算分析,确保电动机部件的最热点温度(考虑起动集肤效应时转子铜排的最热点温度)在允许的范围内,避免了电动机因起动负荷过重而导致电动机早期损坏。

建议用户核查:

- 1.用户的电网应保证电动机在起动过程中的电动机端电压不低于额定电压的85%。
- 2.满足条件1时,水泵负载可直接选用样本中标准规格电动机。
- 3.对风机负载,除满足条件1外,当负载的阻力矩与转速的平方成正比并在起动终止达到电动机额定转速时,风机阻转矩小于电动机额定转矩的35%,电动机允许驱动的风机最大转动惯量见样本中所列 J_L 值(风机转动惯量需折算到电动机转速)。

在上述条件下,电动机允许在实际冷状态下连续起动两次,两次起动之间为自然停车,或在电动机热状态下起动一次。额外的再次起动应在电动机停车四小时以后进行。

STARTING OF MOTOR

These series motors is analyzed by advanced computational analysis technology to calculate the temperature of stator windings temperature, rotor copper bars and the end rings on every point of winding starting period to ensure that the temperature of the hottest point of the motor components so as to protect the motors from early damage due to overload starting.

Recommended Users Verification:

- 1.The voltage of electric power system should not be lower than 85% U_n of the rated voltage.
- 2.Besides $U_{st} \geq 85\%U_n$,The type of motor can be selected directly from this brochure for water pump application.
- 3.For driven machine of fan, besides $U_{st} \geq 85\%U_n$,the block torque of fan less than 35% of M_n at rated speed, the moment of inertias J_L of fan listed in this sample-book are the maximum value that motors can drive.(the moment of inertia should be converted to under the motor rated speed).

Under above conditions, the motor is allowed, twice successively at cold state, between the two starts a natural shut down, or one start at hot state. Additional starting should be operated later after shut down.

六.订货须知

ORDERING INFORMATION

型 号 Motor type	YXKK710-6
额定功率* Rated power	3550kW
额定电压* Rated voltage	6000V
极 数* Poles	6极
额定频率* Rated frequency	50Hz
安装方式* Installation	IMB3
防护等级 Degree of protection	IP55
绝缘等级 Degree of insulation	F
冷却方式 Cooling method	IC611
环境条件*: 海拔 ≤ 1000 米, 环境温度 $0^{\circ}\text{C} - +40^{\circ}\text{C}$	Environmental conditions of altitude $\leq 1000\text{m}$, ambient temperature $0^{\circ}\text{C} \sim +40^{\circ}\text{C}$
旋转方向*: 顺时针(从主轴伸端看)	Direction of rotation: clockwise (from the shaft end)
出线盒位置*: 右(从主轴伸端看)	Terminal box location: right (from the shaft end)
中性点出线盒位置*: 在主出线盒的对面	Neutral point of outlet box location: opposite the outlet box in the main
轴承形式: 滑动强迫油润滑(见下表)	Bearing type: Slide forced oil lubrication (follow tab)
负载性质*: 风机	Load type: Fan
色 标*: 浅灰色 RAL7035	Color Code: French grey
代 号: 7105-6(内部管理代号)	Code: 7105-6 (Code for management)

注: 1) 对于进口件, 我公司仅采购该品牌产品而不限于产地。 2) 带“*”条目由用户提供确认。
Note: 1) For imported part, we only purchase the brand but not limited to origin. 2) Signed with “*” items should be submitted by customer.

七.特殊要求

如有以下特殊要求，须与制造商协商解决。

- 1.对磨机、破碎机等重载起动的负载；
- 2.负载转动惯量超过技术数据表中 J_L 值的风机，或者开阀起动的风机；
- 3.要求频繁起动的工况；
- 4.起动过程中电动机端电压小于额定电压的85%的情况；
- 5.特殊的电压等级和频率；
- 6.对于YXKS电动机冷却器进水温度不超过33℃，进水压力0.1~0.4MPa，水质为工业清洁用水；
- 7.有其它特殊要求（如安装型式、双轴伸、旋转方向、防护等级、防腐要求、冷却方式、环境温度大于40℃或低于0℃、海拔高度大于1000m、电动机轴伸需承受联轴器以外的径向力或轴向力、自润滑等）。

注：随着技术的进步和有关标准的修改，具体数据、尺寸、标准如有变动，恕不另行通知，订货后请向本公司索取正式外形图。

SPECIAL REQUIREMENTS

If there are the following special requirements, it must be negotiated.

- 1.Mills, crushers and other heavy start load.
- 2.Fan inertia more than the value of the technical data sheet J_L or open valve start fan.
- 3.Working conditions require frequent starting.
- 4.Starting period of motor terminal voltage less than 85% of rated voltage.
- 5.Special voltage level and frequency.
- 6.For YXKS motor, cooler inlet water must be clean industry water and temperature is no more than 33℃, pressure is 0.1~0.4MPa.
- 7.Other special requirements (such as IM, degree of protection, anti-corrosion requirements, cooling method, ambient temperature is greater than 40℃ or below 0℃, altitude is higher than 1000m, the motor shaft needs to withstand the force of the coupling except the radial or axial force, self-lubricating, etc.)

Note: With the advances in technology and related standards to modify specific data are subject to change without notice, please ask for the formal outline drawing after placing the order.

轴承型式一览表
Bearing type

极数 Poles 机座号 Frm. No.	2P	4P	6P	8P	10P	12P	16P
H355	滚动 Rolling bearing						---
H400	滚动 Rolling bearing						
H450	滚动 Rolling bearing						
H500	滑动 Sliding bearing	滚动 Rolling bearing					
H560	---	滚动（滑动轴承另行商议） Rolling bearing (Sliding bearing can be negotiated)					
H630		滚动（滑动轴承另行商议） Rolling bearing (Sliding bearing can be negotiated)					
H710		滑动 Sliding bearing	滑动（滚动轴承另行商议） Sliding bearing (Rolling bearing can be negotiated)				
H800			滑动 Sliding bearing	滑动（滚动轴承另行商议） Sliding bearing (Rolling bearing can be negotiated)			滑动（滚动轴承另行商议） Sliding bearing (Rolling bearing can be negotiated)
H900	滑动 Sliding bearing	滑动 Sliding bearing		滑动 Sliding bearing	滑动（滚动轴承另行商议） Sliding bearing (Rolling bearing can be negotiated)		
H1000			滑动 Sliding bearing				



八. YX、YXKS系列主要技术数据 (6kV) YX,YXKS SERIES TECHNICAL DATA (6kV)

型号 Type	额定 功率 kW	额定 电流 A	额定 转速 r/min	效率 %	功率 因数 cos φ	最大转 矩倍数 T _m *	堵转转 矩倍数 T _{st} *	堵转电 流倍数 I _{st} *	电机转 动惯量 J _M kg. m ²	负载转 动惯量 ≤J _L kg. m ²	YX 总重 kg	YXKS 总重 kg	代号 Code
1、YX、YXKS系列三相异步电动机技术数据表 (6kV 50Hz 2极) 1.YX,YXKS Series 6kV 50Hz 2 Poles Three-phase Asynchronous Motors Technical Data													
355-2	400	45	2973	95.2	0.90	2.0	0.6	6.5	8	30	2190	2940	3553-2
	450	51	2977	95.4	0.90	2.0	0.6	6.5	9	30	2260	3010	3554-2
	500	56	2977	95.6	0.90	2.0	0.6	6.5	9	30	2330	3080	3555-2
	560	62	2977	95.7	0.91	2.0	0.6	6.5	9	30	2400	3150	3555-2
400-2	630	70	2975	95.8	0.91	2.0	0.6	6.5	10	50	2500	3350	4003-2
	710	78	2975	95.9	0.92	2.0	0.6	6.5	10	50	2600	3450	4004-2
	800	87	2975	96.1	0.92	2.0	0.6	6.5	12	50	2700	3550	4005-2
	900	98	2976	96.2	0.92	2.0	0.6	6.5	13	50	2800	3650	4006-2
450-2	1000	108	2980	96.3	0.92	2.0	0.6	6.5	16	80	3900	4870	4505-2
	1120	120	2980	96.4	0.92	2.0	0.6	6.5	17	80	4100	5070	4506-2
	1250	136	2980	96.5	0.92	2.0	0.6	6.5	17	80	4300	5270	4506-2
500-2	1400	150	2982	96.6	0.93	2.0	0.6	6.5	27	110	4600	5500	5007-2
	1600	171	2982	96.7	0.93	2.0	0.6	6.5	28	110	5300	6300	5008-2
	1800	192	2982	96.7	0.93	2.0	0.6	6.5	28	110	6000	7100	5008-2
2、YX、YXKS系列三相异步电动机技术数据表 (6kV 50Hz 4极) 2.YX,YXKS Series 6kV 50Hz 4 Poles Three-phase Asynchronous Motors Technical Data													
355-4	355	42	1484	95.0	0.86	2.2	0.8	6.5	8.5	151	2390	2580	3553-4
	400	47	1485	95.1	0.86	2.2	0.8	6.5	9	161	2460	2650	3554-4
400-4	450	52	1488	95.3	0.87	2.2	0.8	6.5	14	175	2790	2965	4002-4
	500	58	1488	95.4	0.87	2.2	0.8	6.5	15	180	3010	3185	4003-4
	560	65	1488	95.6	0.87	2.2	0.8	6.5	16	185	3090	3265	4004-4
	630	73	1488	95.8	0.87	2.2	0.8	6.5	17	190	3270	3445	4005-4
450-4	710	81	1489	96.0	0.88	2.2	0.7	6.8	22	195	3670	3850	4504-4
	800	91	1488	96.0	0.88	2.2	0.7	6.8	24	200	3900	4080	4504-4
	900	102	1489	96.1	0.88	2.2	0.7	6.8	25	205	4130	4310	4505-4
	1000	114	1487	96.2	0.88	2.2	0.7	6.8	27	210	4370	4550	4506-4
500-4	1120	124	1490	96.3	0.89	2.2	0.7	6.5	42	220	5250	5595	5005-4
	1250	139	1489	96.4	0.89	2.2	0.7	6.5	45	225	5560	5805	5006-4
	1400	155	1489	96.4	0.89	2.2	0.7	6.5	47	230	5740	5985	5006-4
	1600	177	1489	96.5	0.89	2.2	0.7	6.5	50	235	5910	6155	5007-4
560-4	1800	199	1490	96.6	0.89	2.0	0.5	6.5	55	371	6830	7180	5602-4
	2000	221	1491	96.7	0.89	2.0	0.5	6.5	70	490	7120	7470	5602-4
	2240	247	1491	96.8	0.89	2.0	0.5	6.5	78	505	7550	7900	5603-4
	2500	276	1491	96.9	0.89	2.0	0.5	6.5	87	520	7960	8310	5605-4
630-4	2800	309	1490	96.9	0.89	2.0	0.5	6.5	108	580	9050	9430	6302-4
	3150	347	1490	97.0	0.89	2.0	0.5	6.5	125	590	9580	9960	6302-4
	3550	391	1492	97.0	0.89	2.0	0.5	6.5	135	605	10110	10490	6306-4
	4000	440	1491	97.1	0.89	2.0	0.5	6.5	141	610	10410	10790	6306-4
	4500	496	1491	97.1	0.89	2.0	0.5	6.5	151	620	10650	11030	6307-4
710-4	5000	556	1493	97.2	0.89	1.8	0.5	6.5	290	1680	15900	16300	7103-4
	5600	623	1493	97.2	0.89	1.8	0.5	6.5	300	1760	16600	17000	7104-4
	6300	700	1493	97.3	0.89	1.8	0.5	6.5	320	1900	17400	17900	7106-4
800-4	7100	789	1493	97.3	0.89	1.8	0.5	6.5	513	2030	19900	20400	8002-4
	8000	888	1493	97.4	0.89	1.8	0.5	6.5	550	2220	20900	21500	8004-4
	9000	998	1494	97.5	0.89	1.8	0.5	6.5	610	2510	22500	23100	8007-4
900-4	10000	1095	1495	97.6	0.90	1.8	0.4	6.5	880	2690	25600	26300	9002-4
	11200	1226	1495	97.7	0.90	1.8	0.4	6.5	970	3160	27500	28300	9005-4
	12500	1368	1495	97.7	0.90	1.8	0.5	6.5	1030	3280	28900	29700	9007-4

型号 Type	额定 功率 kW	额定 电流 A	额定 转速 r/min	效率 %	功率 因数 cos φ	最大转 矩倍数 T _m *	堵转转 矩倍数 T _{st} *	堵转电 流倍数 I _{st} *	电机转 动惯量 J _M kg·m ²	负载转 动惯量 ≤J _L kg·m ²	YX 总重 kg	YXKS 总重 kg	代号 Code
3、YX、YXKS系列三相异步电动机技术数据表（6kV 50Hz 6极） 3.YX,YXKS Series 6kV 50Hz 6 Poles Three-phase Asynchronous Motors Technical Data													
400-6	355	43	990	95.1	0.83	2.0	0.7	6.0	17	510	3000	3155	4005-6
	400	49	988	95.1	0.83	2.0	0.7	6.0	19	555	3130	3285	4005-6
	450	55	989	95.4	0.83	2.0	0.7	6.0	20	611	3230	3385	4005-6
450-6	500	59	990	95.6	0.85	2.0	0.7	6.0	30	625	4010	4190	4504-6
	560	66	991	95.7	0.85	2.0	0.7	6.0	32	656	4090	4270	4505-6
	630	74	991	95.8	0.85	2.0	0.7	6.0	34	680	4220	4400	4506-6
	710	84	990	96.0	0.85	2.0	0.7	6.0	35	685	4360	4540	4506-6
	800	94	991	96.0	0.85	2.0	0.7	6.0	36	690	4500	4680	4507-6
500-6	900	105	992	96.1	0.85	2.0	0.7	6.0	52	695	4970	5165	5005-6
	1000	116	992	96.2	0.85	2.0	0.7	6.0	56	705	5220	5445	5006-6
	1120	130	991	96.3	0.85	2.0	0.6	6.0	58	710	5520	5745	5007-6
	1250	147	992	96.4	0.85	2.0	0.7	6.0	63	739	5740	5965	5007-6
560-6	1400	163	993	96.4	0.86	2.0	0.7	6.0	90	1049	6610	6975	5602-6
	1600	186	993	96.5	0.86	2.0	0.7	6.0	102	1155	7030	7395	5602-6
	1800	209	993	96.6	0.86	2.0	0.7	6.0	107	1062	7460	7825	5604-6
	2000	231	994	96.7	0.86	2.0	0.7	6.0	119	1080	7910	8275	5605-6
630-6	2240	259	993	96.7	0.86	2.0	0.7	6.0	168	1175	9310	9640	6304-6
	2500	289	993	96.8	0.86	2.0	0.7	6.0	197	1180	9830	10160	6304-6
	2800	323	994	96.9	0.86	2.0	0.7	6.0	202	1190	10340	10670	6307-6
	3150	364	993	96.9	0.86	2.0	0.7	6.0	210	1195	10510	10840	6308-6
	3550	410	994	96.9	0.86	2.0	0.7	6.0	216	1210	10760	11190	6309-6
710-6	4000	451	993	97.0	0.88	1.8	0.6	6.5	373	3100	16900	17400	7105-6
	4500	507	993	97.0	0.88	1.8	0.6	6.5	398	3390	17700	18200	7107-6
	5000	563	993	97.1	0.88	1.8	0.6	6.5	431	3560	18500	19000	7109-6
800-6	5600	631	994	97.1	0.88	1.8	0.6	6.5	610	3670	21300	21900	8005-6
	6300	709	994	97.2	0.88	1.8	0.6	6.5	690	4300	23000	23600	8008-6
	7100	798	994	97.3	0.88	1.8	0.6	6.5	720	4560	23600	24300	8009-6
900-6	8000	889	995	97.3	0.89	1.8	0.6	6.5	1030	4620	27300	28100	9005-6
	9000	999	995	97.4	0.89	1.8	0.6	6.5	1110	5070	28700	29500	9007-6
	10000	1109	996	97.5	0.89	1.8	0.6	6.5	1210	5130	30100	31000	9009-6
1000-6	11200	1241	996	97.6	0.89	1.8	0.6	6.5	1865	5300	31300	32200	10004-6
	12500	1383	996	97.7	0.89	1.8	0.6	6.5	2030	6010	32900	33800	10006-6
	14000	1549	995	97.7	0.89	1.8	0.6	6.5	2100	6060	33900	34900	10007-6
4、YX、YXKS系列三相异步电动机技术数据表（6kV 50Hz 8极） 4.YX,YXKS Series 6kV 50Hz 8 Poles Three-phase Asynchronous Motors Technical Data													
450-8	355	45	740	94.7	0.81	2.0	0.7	5.5	30	940	3750	3920	4503-8
	400	50	740	94.9	0.81	2.0	0.7	5.5	32	965	3890	4060	4504-8
	450	56	740	95.0	0.81	2.0	0.7	5.5	35	980	4040	4200	4505-8
	500	63	742	95.4	0.8	2.0	0.7	5.5	37	995	4160	4330	4506-8
500-8	560	67	744	95.5	0.84	1.8	0.6	5.5	72	1040	5020	5245	5004-8
	630	76	743	95.6	0.84	1.8	0.6	5.5	83	1080	5340	5565	5005-8
	710	85	743	95.6	0.84	1.8	0.6	5.5	89	1210	5580	5805	5006-8
	800	96	743	95.7	0.84	1.8	0.6	5.5	94	1220	5800	6025	5008-8
	900	108	743	95.8	0.84	1.8	0.6	5.5	99	1230	6010	6235	5009-8
560-8	1000	120	742	95.9	0.84	2.0	0.8	6.0	103	1850	6750	7090	5602-8
	1120	134	742	96.0	0.84	2.0	0.8	6.0	106	1860	6950	7290	5602-8
	1250	153	743	96.0	0.84	2.0	0.8	6.0	120	2110	7160	7500	5604-8
	1400	167	742	96.1	0.84	2.0	0.8	6.0	134	2119	7580	7920	5606-8
630-8	1600	188	744	96.2	0.84	1.8	0.6	6.0	224	2520	9690	10040	6305-8
	1800	212	744	96.2	0.84	1.8	0.6	6.0	236	3150	10120	10470	6305-8
	2000	235	744	96.3	0.84	1.8	0.6	6.0	260	3410	10350	10700	6306-8
	2240	263	744	96.4	0.84	1.8	0.6	6.0	274	3680	10590	10940	6308-8

型号 Type	额定 功率 kW	额定 电流 A	额定 转速 r/min	效率 %	功率 因数 cos φ	最大转 矩倍数 Tm*	堵转转 矩倍数 Tst*	堵转电 流倍数 Ist*	电机转 动惯量 JM kg. m2	负载转 动惯量 ≤JL kg. m2	YX 总重 kg	YXKS 总重 kg	代号 Code
630-8	2500	293	745	96.5	0.84	1.8	0.6	6.0	284	3780	10890	11340	63010-8
710-8	2800	332	746	96.6	0.84	1.8	0.6	6.5	427	6070	17200	17700	7106-8
	3150	374	746	96.6	0.84	1.8	0.6	6.5	442	6250	17600	18100	7107-8
	3550	421	746	96.7	0.84	1.8	0.6	6.5	480	6460	18400	18900	7109-8
	4000	462	745	96.8	0.86	1.8	0.6	6.5	650	6600	20700	21300	8004-8
800-8	4500	520	745	96.9	0.86	1.8	0.6	6.5	700	7250	21800	22400	8006-8
	5000	577	745	96.9	0.86	1.8	0.6	6.5	720	7380	22300	22900	8007-8
	5600	639	745	96.9	0.87	1.8	0.6	6.5	1230	7470	27100	27900	9005-8
900-8	6300	718	745	97.0	0.87	1.8	0.6	6.5	1330	7780	28500	29300	9007-8
	7100	809	746	97.1	0.87	1.8	0.6	6.5	1460	8180	29900	30700	9009-8
	8000	910	746	97.2	0.87	1.8	0.6	6.5	1530	8440	30500	31400	90010-8
	9000	1011	746	97.3	0.88	1.8	0.6	6.5	1850	8810	31000	31900	10004-8
1000-8	10000	1124	746	97.3	0.88	1.8	0.6	6.5	2010	9610	32600	33500	10006-8
	11200	1257	746	97.4	0.88	1.8	0.6	6.5	2100	10160	33600	34600	10007-8
	12500	1402	746	97.5	0.88	1.8	0.6	6.5	2330	11310	36000	37000	100010-8

5、YX、YXKS系列三相异步电动机技术数据表（6kV 50Hz 10极）

5.YX,YXKS Series 6kV 50Hz 10 Poles Three-phase Asynchronous Motors Technical Data

450-10	355	45	591	94.2	0.80	2.0	0.8	5.8	42	1180	4160	4310	4504-10
	400	51	593	94.6	0.80	2.0	0.8	5.8	45	1220	4310	4460	4506-10
	450	57	591	94.6	0.80	2.0	0.8	5.8	48	1350	4430	4580	4506-10
500-10	500	62	593	94.8	0.81	2.0	0.7	5.9	74	1490	5140	5345	5004-10
	560	69	592	94.9	0.81	2.0	0.7	5.9	80	1510	5340	5545	5004-10
	630	78	592	95.0	0.81	2.0	0.7	5.9	85	1630	5580	5785	5006-10
	710	88	593	95.1	0.81	2.0	0.7	5.9	91	1880	5800	6005	5007-10
	800	99	594	95.3	0.81	2.0	0.7	5.9	102	2110	6010	6215	5009-10
560-10	900	112	593	95.4	0.82	2.0	0.7	5.9	119	2220	7080	7400	5604-10
	1000	124	593	95.5	0.82	2.0	0.7	5.9	135	2620	7220	7540	5604-10
	1120	138	593	95.6	0.82	2.0	0.7	5.9	151	2900	7570	7890	5606-10
	1250	153	594	95.8	0.82	2.0	0.7	5.9	167	3650	7920	8240	5608-10
630-10	1400	169	594	95.9	0.83	2.0	0.7	5.5	278	4800	9710	10060	6304-10
	1600	193	593	95.9	0.83	2.0	0.7	5.5	293	5620	10130	10480	6306-10
	1800	217	594	96.0	0.83	2.0	0.7	5.5	301	5880	10380	10730	6307-10
	2000	241	595	96.1	0.83	2.0	0.7	5.5	321	6180	10580	10930	6309-10
710-10	2240	280	595	96.2	0.80	1.8	0.6	6.0	430	8750	17800	18300	7108-10
	2500	312	595	96.3	0.80	1.8	0.6	6.0	443	9160	18300	18800	7109-10
	2800	349	595	96.4	0.80	1.8	0.6	6.0	460	9520	18900	19400	71010-10
800-10	3150	383	596	96.4	0.81	1.8	0.6	6.0	690	10340	21100	21700	8005-10
	3550	432	596	96.5	0.81	1.8	0.6	6.0	750	10650	22200	22800	8007-10
	4000	480	596	96.6	0.81	1.8	0.6	6.0	780	10970	22800	23400	8008-10
	4500	534	595	96.6	0.84	1.8	0.6	6.0	1280	11350	26000	26700	9004-10
900-10	5000	592	595	96.7	0.84	1.8	0.6	6.0	1400	12460	27600	28400	9006-10
	5600	663	595	96.7	0.84	1.8	0.6	6.0	1530	13730	28800	29600	9008-10
	6300	746	595	96.8	0.84	1.8	0.6	6.0	1680	14590	30300	31200	90010-10
1000-10	7100	821	596	96.8	0.86	1.8	0.6	6.0	2130	14910	31000	31900	10005-10
	8000	924	597	96.9	0.86	1.8	0.6	6.0	2330	16650	33300	34200	10007-10
	9000	1038	596	97.0	0.86	1.8	0.6	6.0	2510	17930	35100	36100	10009-10

6、YX、YXKS系列三相异步电动机技术数据表（6kV 50Hz 12极）

6.YX,YXKS Series 6kV 50Hz 12 Poles Three-phase Asynchronous Motors Technical Data

500-12	355	46	494	94.3	0.78	2.0	0.8	6.0	77	1610	5000	5205	5005-12
	400	52	494	94.6	0.78	2.0	0.8	6.0	87	1640	5270	5475	5007-12
	450	59	494	94.6	0.78	2.0	0.8	6.0	105	1680	5490	5695	5008-12
	500	65	495	94.9	0.78	2.0	0.8	6.0	108	1750	5720	5925	5009-12
	560	73	495	95.0	0.78	2.0	0.8	6.0	111	1890	5950	6155	5009-12
560-12	630	81	493	95.1	0.79	1.8	0.6	5.5	161	1940	7090	7420	5603-12

型号 Type	额定 功率 kW	额定 电流 A	额定 转速 r/min	效率 %	功率 因数 cos φ	最大转 矩倍数 Tm*	堵转转 矩倍数 Tst*	堵转电 流倍数 lst*	电机转 动惯量 JM kg. m2	负载转 动惯量 ≤JL kg. m2	YX 总重 kg	YXKS 总重 kg	代号 Code
560-12	710	91	494	95.1	0.79	1.8	0.6	5.5	181	2250	7490	7820	5603-12
	800	102	493	95.3	0.79	1.8	0.6	5.5	192	2620	7510	7840	5605-12
	900	115	493	95.4	0.79	1.8	0.6	5.5	202	2740	7720	8050	5606-12
630-12	1000	126	494	95.5	0.79	2.0	0.6	5.5	301	5200	8850	9150	6305-12
	1120	141	494	95.5	0.79	2.0	0.6	5.5	337	5720	9260	9560	6305-12
	1250	157	494	95.6	0.79	2.0	0.6	5.5	360	5810	9410	9710	6307-12
	1400	176	495	95.7	0.79	2.0	0.6	5.5	370	5830	9690	9990	6309-12
710-12	1600	204	496	95.7	0.79	1.8	0.6	6.0	424	10310	16600	17500	7106-12
	1800	229	496	95.8	0.79	1.8	0.6	6.0	460	11260	17400	18300	7108-12
	2000	254	496	95.9	0.79	1.8	0.6	6.0	478	11800	18200	18700	7109-12
800-12	2240	281	495	96.0	0.80	1.8	0.6	6.0	640	12350	19500	20000	8002-12
	2500	313	495	96.1	0.80	1.8	0.6	6.0	700	13590	20500	21100	8004-12
	2800	350	495	96.2	0.80	1.8	0.6	6.0	760	14930	21600	22200	8006-12
	3150	393	495	96.3	0.80	1.8	0.6	6.0	820	16460	22700	23300	8008-12
900-12	3550	437	496	96.4	0.81	1.8	0.6	6.0	1295	18200	26700	27500	9005-12
	4000	493	496	96.4	0.81	1.8	0.6	6.0	1400	20180	28100	28900	9007-12
	4500	555	496	96.4	0.81	1.8	0.6	6.0	1470	21180	28600	29400	9008-12
	5000	616	496	96.5	0.81	1.8	0.6	6.0	1530	21870	29500	30300	9009-12
1000-12	5600	665	497	96.5	0.84	1.8	0.6	6.0	2120	22280	30400	31300	10004-12
	6300	747	497	96.6	0.84	1.8	0.6	6.0	2310	24560	32000	32900	10006-12
	7100	841	497	96.7	0.84	1.8	0.6	6.0	2530	27230	34100	35100	10008-12
	8000	947	497	96.8	0.84	1.8	0.6	6.0	2600	28030	34800	35800	10009-12

7、YX、YXKS系列三相异步电动机技术数据表（6kV 50Hz 16极）

7.YX,YXKS Series 6kV 50Hz 16 Poles Three-phase Asynchronous Motors Technical Data

710-16	800	120	371	94.6	0.68	1.8	0.6	6.0	390	15100	16000	16400	7104-16
	900	134	371	94.7	0.68	1.8	0.6	6.0	410	15800	16400	16800	7105-16
	1000	149	371	94.8	0.68	1.8	0.6	6.0	440	16300	17200	17700	7107-16
	1120	167	371	94.9	0.68	1.8	0.6	6.0	480	17000	18000	18500	7109-16
800-16	1250	178	372	95.0	0.71	1.8	0.6	6.0	640	17600	19300	19800	8002-16
	1400	200	372	95.1	0.71	1.8	0.6	6.0	700	19240	20300	20900	8004-16
	1600	228	372	95.1	0.71	1.8	0.6	6.0	720	20160	20800	21400	8005-16
	1800	256	372	95.2	0.71	1.8	0.6	6.0	790	22230	21900	22500	8007-16
	2000	284	372	95.3	0.71	1.8	0.6	6.0	840	24600	23100	23700	8009-16
900-16	2240	286	370	95.4	0.79	1.8	0.6	6.0	1220	25550	25400	26100	9004-16
	2500	319	370	95.5	0.79	1.8	0.6	6.0	1340	27920	27000	27800	9006-16
	2800	357	370	95.6	0.79	1.8	0.6	6.0	1460	30610	28200	29000	9008-16
	3150	401	370	95.6	0.79	1.8	0.6	6.0	1530	32430	28900	29700	9009-16
1000-16	3550	435	371	95.7	0.82	1.8	0.6	6.0	2180	35610	29000	29800	10003-16
	4000	490	371	95.8	0.82	1.8	0.6	6.0	2370	39040	30100	31000	10005-16
	4500	551	371	95.9	0.82	1.8	0.6	6.0	2590	43330	32400	33300	10007-16
	5000	611	371	96.0	0.82	1.8	0.6	6.0	2800	46660	34200	35200	10009-16

九. YXKK系列主要技术数据 (6kV) YXKK SERIES TECHNICAL DATA (6kV)

型号 Type	额定 功率 kW	额定 电流 A	额定 转速 r/min	效率 %	功率 因数 cos φ	最大转矩 倍数 Tm*	堵转转矩 倍数 Tst*	堵转电流 倍数 Ist*	电机转动 惯量 JM kg·m ²	负载转动 惯量≤JL kg·m ²	YXKK 总重 kg	代号 Code
1、YXKK系列三相异步电动机技术数据表 (6kV 50Hz 2极) 1.YXKK Series 6kV 50Hz 2 Poles Three-phase Asynchronous Motors Technical Data												
355-2	280	32	2975	93.4	0.9	2.0	0.6	6.5	7	30	3500	3552-2
	315	35	2975	93.7	0.91	2.0	0.6	6.5	7.5	30	3570	3553-2
	355	40	2976	94.6	0.91	2.0	0.6	6.5	8	30	3640	3554-2
	400	44	2976	94.9	0.92	2.0	0.6	6.5	8.5	30	3710	3555-2
400-2	450	49	2975	95.1	0.93	2.0	0.6	6.5	10	50	3450	4003-2
	500	54	2975	95.3	0.93	2.0	0.6	6.5	10.5	50	3550	4004-2
	560	61	2975	95.5	0.93	2.0	0.6	6.5	11	50	3650	4005-2
	630	68	2975	95.6	0.93	2.0	0.6	6.5	12	50	3750	4006-2
450-2	710	77	2978	95.7	0.93	2.0	0.6	6.5	16	80	5100	4504-2
	800	87	2980	95.8	0.93	2.0	0.6	6.5	16	80	5300	4504-2
	900	97	2981	96.0	0.93	2.0	0.6	6.5	17	80	5500	4506-2
	1000	108	2981	96.0	0.93	2.0	0.6	6.5	17	80	5900	4506-2
500-2	1120	121	2982	96.1	0.93	2.0	0.6	6.5	27	90	7000	5007-2
	1250	135	2982	96.2	0.93	2.0	0.6	6.5	28	100	7700	5008-2
	1400	151	2983	96.3	0.93	2.0	0.6	6.5	28	110	8100	5008-2
2、YXKK系列三相异步电动机技术数据表 (6kV 50Hz 4极) 2.YXKK Series 6kV 50Hz 4 Poles Three-phase Asynchronous Motors Technical Data												
400-4	355	42	1488	94.7	0.87	2.2	0.7	6.5	13	180	3530	4002-4
	400	47	1487	94.9	0.87	2.2	0.7	6.5	14	195	3610	4002-4
	450	52	1488	95.1	0.87	2.2	0.7	6.5	15	205	3700	4003-4
	500	58	1487	95.1	0.87	2.2	0.7	6.5	16	210	3800	4004-4
	560	65	1487	95.3	0.87	2.2	0.7	6.5	17	215	3880	4005-4
450-4	630	72	1490	95.5	0.88	2.2	0.7	6.5	22	220	4340	4504-4
	710	81	1489	95.6	0.88	2.2	0.7	6.5	24	230	4570	4504-4
	800	91	1490	95.8	0.88	2.2	0.7	6.5	25	250	4800	4505-4
	900	103	1490	95.9	0.88	2.2	0.7	6.5	27	260	5040	4506-4
500-4	1000	113	1491	96.0	0.89	2.2	0.6	6.5	42	270	6060	5005-4
	1120	126	1491	96.0	0.89	2.2	0.6	6.5	45	290	6330	5005-4
	1250	141	1491	96.1	0.89	2.2	0.6	6.5	47	310	6490	5006-4
	1400	157	1491	96.2	0.89	2.2	0.6	6.5	50	320	6680	5007-4
560-4	1600	178	1491	96.3	0.90	2.2	0.5	6.5	58	390	7480	5602-4
	1800	200	1491	96.4	0.90	2.2	0.5	6.5	66	450	7720	5602-4
	2000	222	1491	96.4	0.90	2.2	0.5	6.5	74	490	7980	5604-4
	2240	248	1491	96.5	0.90	2.2	0.5	6.5	79	510	8220	5605-4
630-4	2500	277	1492	96.6	0.90	2.2	0.5	6.5	125	590	10780	6302-4
	2800	310	1492	96.6	0.90	2.2	0.5	6.5	135	605	11310	6303-4
	3150	348	1492	96.7	0.90	2.2	0.5	6.5	141	610	11610	6305-4
	3550	393	1492	96.7	0.90	2.2	0.5	6.5	151	620	11850	6306-4
710-4	4000	442	1493	96.8	0.90	1.8	0.6	6.5	290	1660	18000	7103-4
	4500	497	1494	96.8	0.90	1.8	0.6	6.5	310	1920	19200	7105-4
	5000	552	1494	96.9	0.90	1.8	0.6	6.5	330	2020	20100	7107-4
800-4	5600	618	1493	96.9	0.90	1.8	0.6	6.5	440	2130	21900	8001-4
	6300	694	1495	97.0	0.90	1.8	0.6	6.5	510	2470	24200	8005-4
3、YXKK系列三相异步电动机技术数据表 (6kV 50Hz 6极) 3.YXKK Series 6kV 50Hz 6 Poles Three-phase Asynchronous Motors Technical Data												
450-6	355	43	991	94.9	0.85	2.0	0.7	6.3	20	444	4480	4501-6
	400	48	991	95.0	0.85	2.0	0.7	6.3	24	458	4580	4501-6
	450	54	991	95.2	0.85	2.0	0.7	6.3	26	560	4690	4502-6

型号 Type	额定 功率 kW	额定 电流 A	额定 转速 r/min	效率 %	功率 因数 cos φ	最大转矩 倍数 T _m *	堵转转矩 倍数 T _{st} *	堵转电流 倍数 I _{st} *	电机转动 惯量 J _M kg·m ²	负载转动 惯量≤J _L kg·m ²	YXKK 总重 kg	代号 Code
450-6	500	59	990	95.4	0.85	2.0	0.7	6.3	30	720	4800	4504-6
	560	66	991	95.5	0.85	2.0	0.7	6.3	32	730	4930	4505-6
	630	75	991	95.6	0.85	2.0	0.7	6.3	34	750	5070	4506-6
	710	84	992	95.8	0.85	2.0	0.7	6.3	36	760	5230	4507-6
500-6	800	93	993	95.9	0.86	2.0	0.7	6.5	48	770	5830	5005-6
	900	105	993	96.0	0.86	2.0	0.7	6.5	52	780	6010	5006-6
	1000	117	992	96.0	0.86	2.0	0.7	6.5	56	790	6170	5007-6
	1120	129	992	96.1	0.87	2.0	0.7	6.5	63	806	6510	5008-6
560-6	1250	144	994	96.2	0.87	2.0	0.6	6.5	96	1130	8095	5605-6
	1400	161	994	96.3	0.87	2.0	0.6	6.5	102	1150	8310	5605-6
	1600	184	994	96.4	0.87	2.0	0.6	6.5	107	1160	8595	5605-6
	1800	207	994	96.4	0.87	2.0	0.6	6.5	113	1180	8800	5606-6
630-6	2000	229	994	96.5	0.87	2.0	0.6	6.5	159	1199	10250	6303-6
	2240	257	994	96.5	0.87	2.0	0.6	6.5	168	1210	10510	6304-6
	2500	286	994	96.6	0.87	2.0	0.6	6.5	177	1228	10720	6307-6
	2800	320	994	96.7	0.87	2.0	0.6	6.5	197	1267	11540	6307-6
	3150	360	994	96.7	0.87	2.0	0.6	6.5	216	1276	12060	6309-6
710-6	3550	401	994	96.7	0.88	1.8	0.6	6.5	370	3200	19100	7105-6
	4000	452	994	96.8	0.88	1.8	0.6	6.5	390	3500	20000	7107-6
	4500	508	994	96.8	0.88	1.8	0.6	6.5	420	3670	20900	7109-6
800-6	5000	564	995	96.9	0.88	1.8	0.6	6.5	608	3740	24100	8005-6
	5600	632	994	96.9	0.88	1.8	0.6	6.5	660	4100	25300	8007-6
	6300	710	994	97.0	0.88	1.8	0.6	6.5	685	4300	26000	8008-6
900-6	7100	791	996	97.1	0.89	1.8	0.6	6.5	1030	4710	30900	9005-6
	8000	891	996	97.1	0.89	1.8	0.6	6.5	1110	4980	32500	9007-6
	9000	1001	996	97.2	0.89	1.8	0.6	6.5	1210	5250	34100	9009-6
1000-6	10000	1099	996	97.3	0.90	1.8	0.6	6.5	1860	5410	35400	10004-6
	11200	1229	996	97.4	0.90	1.8	0.6	6.5	2100	6120	38400	10007-6
	12500	1371	996	97.5	0.90	1.8	0.6	6.5	2100	6230	39000	10007-6

4、YXKK系列三相异步电动机技术数据表（6kV 50Hz 8极）

4.YXKK Series 6kV 50Hz 8 Poles Three-phase Asynchronous Motors Technical Data

450-8	355	44	740	94.7	0.83	2.2	0.8	5.9	35	940	4560	4504-8
	400	49	740	94.9	0.83	2.2	0.8	5.9	37	980	4700	4505-8
	450	55	741	95.0	0.83	2.2	0.8	5.9	39	1010	4830	4506-8
500-8	500	62	743	95.3	0.82	1.8	0.7	5.5	72	1020	5650	5004-8
	560	69	744	95.5	0.82	1.8	0.7	5.5	77	1040	5860	5005-8
	630	77	744	95.6	0.82	1.8	0.7	5.5	83	1090	6110	5006-8
	710	87	743	95.6	0.82	1.8	0.7	5.5	88	1160	6350	5006-8
	800	98	743	95.7	0.82	1.8	0.7	5.5	94	1320	6570	5008-8
560-8	900	106	743	95.8	0.83	2.0	0.7	6.0	106	1850	7760	5602-8
	1000	118	744	95.9	0.83	2.0	0.7	6.0	109	1890	7960	5603-8
	1120	132	743	96.0	0.83	2.0	0.7	6.0	115	1950	8210	5603-8
	1250	147	744	96.0	0.83	2.0	0.7	6.0	127	2150	8580	5605-8
630-8	1400	165	745	96.1	0.84	2.0	0.7	6.5	159	2210	10250	6303-8
	1600	188	745	96.2	0.84	2.0	0.7	6.5	168	2510	10510	6305-8
	1800	212	745	96.2	0.84	2.0	0.7	6.5	177	2910	10720	6306-8
	2000	235	745	96.3	0.84	2.0	0.7	6.5	197	3250	11540	6308-8
	2240	263	745	96.4	0.84	2.0	0.7	6.5	216	3550	12060	63010-8
710-8	2500	297	746	96.5	0.84	1.8	0.5	6.5	427	6170	19400	7106-8
	2800	332	746	96.6	0.84	1.8	0.5	6.5	465	6250	19900	7108-8
	3150	374	746	96.6	0.84	1.8	0.5	6.5	480	6480	20800	7109-8
800-8	3550	411	746	96.7	0.86	1.8	0.6	6.5	640	6600	23400	8004-8
	4000	462	745	96.8	0.86	1.8	0.6	6.5	700	6940	24600	8006-8
	4500	520	746	96.9	0.86	1.8	0.6	6.5	720	7270	25200	8007-8

型号 Type	额定 功率 kW	额定 电流 A	额定 转速 r/min	效率 %	功率 因数 cos φ	最大转矩 倍数 T _m *	堵转转矩 倍数 T _{st} *	堵转电流 倍数 I _{st} *	电机转动 惯量 J _M kg. m ²	负载转动 惯量≤J _L kg. m ²	YXKK 总重 kg	代号 Code
900-8	5000	571	746	96.9	0.87	1.8	0.6	6.5	1230	7610	30700	9005-8
	5600	639	746	96.9	0.87	1.8	0.6	6.5	1330	8430	32200	9007-8
	6300	718	746	97.0	0.87	1.8	0.6	6.5	1460	8830	33800	9009-8
	7100	809	746	97.1	0.87	1.8	0.6	6.5	1530	9030	34500	90010-8
1000-8	8000	900	747	97.2	0.88	1.8	0.6	6.5	1920	9320	35400	10005-8
	9000	1011	747	97.3	0.88	1.8	0.6	6.5	2010	9820	36900	10006-8
	10000	1124	747	97.3	0.88	1.8	0.6	6.5	2210	10810	39300	10008-8
	11200	1257	747	97.4	0.88	1.8	0.6	6.5	2330	11560	40700	100010-8

5、YXKK系列三相异步电动机技术数据表（6kV 50Hz 10极）
5.YXKK Series 6kV 50Hz 10 Poles Three-phase Asynchronous Motors Technical Data

450-10	355	47	592	94.3	0.77	2.2	0.8	5.9	42	1180	4800	4505-10
	400	53	592	94.5	0.77	2.2	0.8	5.9	45	1190	4930	4506-10
500-10	450	59	593	94.6	0.78	2.2	0.8	5.9	67	1220	5950	5003-10
	500	65	593	94.8	0.78	2.2	0.8	5.9	81	1570	6050	5004-10
	560	73	593	94.9	0.78	2.2	0.8	5.9	85	1690	6220	5006-10
	630	82	594	95.0	0.78	2.2	0.8	5.9	91	1930	6730	5007-10
	710	92	594	95.1	0.78	2.2	0.8	5.9	102	2290	6830	5009-10
560-10	800	100	594	95.3	0.81	2.2	0.8	6.0	135	2390	8050	5604-10
	900	112	594	95.4	0.81	2.2	0.8	6.0	143	2800	8260	5605-10
	1000	124	594	95.5	0.81	2.2	0.8	6.0	151	2990	8490	5606-10
630-10	1120	138	595	95.6	0.82	2.2	0.8	6.0	207	3830	9650	6301-10
	1250	150	594	95.8	0.82	2.2	0.8	6.0	250	4490	10430	6304-10
	1400	167	594	95.9	0.82	2.2	0.8	6.0	278	5040	10950	6306-10
	1600	191	595	95.9	0.82	2.2	0.8	6.0	293	5840	11470	6307-10
	1800	215	595	96.0	0.82	2.2	0.8	6.0	321	6370	11730	6309-10
710-10	2000	244	596	96.1	0.82	1.8	0.6	6.5	406	8880	19500	7107-10
	2240	273	596	96.2	0.82	1.8	0.6	6.5	441	9260	20700	7109-10
	2500	305	596	96.3	0.82	1.8	0.6	6.5	457	9680	21400	71010-10
800-10	2800	341	596	96.4	0.82	1.8	0.6	6.5	720	10130	24500	8006-10
	3150	383	596	96.4	0.82	1.8	0.6	6.5	750	10530	25100	8007-10
	3550	432	596	96.5	0.82	1.8	0.6	6.5	780	10960	25800	8008-10
900-10	4000	469	596	96.6	0.85	1.8	0.6	6.0	1280	11500	29400	9004-10
	4500	527	596	96.6	0.85	1.8	0.6	6.0	1400	12680	31200	9006-10
	5000	585	596	96.7	0.85	1.8	0.6	6.0	1530	13970	32600	9008-10
	5600	656	596	96.7	0.85	1.8	0.6	6.0	1680	15510	34300	90010-10
1000-10	6300	728	597	96.8	0.86	1.8	0.6	6.0	2230	15810	36500	10006-10
	7100	821	597	96.8	0.86	1.8	0.6	6.0	2330	16500	37700	10007-10
	8000	924	597	96.9	0.86	1.8	0.6	6.0	2660	19140	41100	100011-10

6、YXKK系列三相异步电动机技术数据表（6kV 50Hz 12极）
6.YXKK Series 6kV 50Hz 12 Poles Three-phase Asynchronous Motors Technical Data

500-12	355	48	494	94.3	0.75	2.1	0.8	6.0	93	1870	5660	5007-12
	400	54	494	94.5	0.75	2.1	0.8	6.0	99	2240	5880	5007-12
	450	61	494	94.6	0.75	2.1	0.8	6.0	105	2540	6090	5008-12
	500	68	495	94.8	0.75	2.1	0.8	6.0	111	2890	6730	5009-12
560-12	560	74	494	94.9	0.77	2.0	0.7	5.5	120	4430	8090	5603-12
	630	83	493	95.0	0.77	2.0	0.7	5.5	135	4650	8490	5603-12
	710	93	494	95.1	0.77	2.0	0.7	5.5	143	4870	8580	5605-12
	800	105	494	95.3	0.77	2.0	0.7	5.5	150	5050	8790	5606-12
630-12	900	115	495	95.4	0.78	2.1	0.8	6.0	281	5160	10350	6305-12
	1000	128	495	95.5	0.78	2.1	0.8	6.0	301	5400	10750	6305-12
	1120	143	495	95.5	0.78	2.1	0.8	6.0	337	5930	11010	6307-12
	1250	159	495	95.6	0.78	2.1	0.8	6.0	370	6030	11530	6309-12
710-12	1400	180	496	95.7	0.78	1.8	0.6	6.0	424	10480	19300	7106-12
	1600	206	496	95.7	0.78	1.8	0.6	6.0	460	11430	20200	7108-12

型号 Type	额定 功率 kW	额定 电流 A	额定 转速 r/min	效率 %	功率 因数 cos ϕ	最大转矩 倍数 T _m *	堵转转矩 倍数 T _{st} *	堵转电流 倍数 I _{st} *	电机转动 惯量 J _M kg·m ²	负载转动 惯量≤J _L kg·m ²	YXKK 总重 kg	代号 Code
710-12	1800	232	496	95.8	0.78	1.8	0.6	6.0	478	12580	20600	7109-12
800-12	2000	251	496	95.9	0.80	1.8	0.6	6.0	670	13110	22600	8003-12
	2240	281	496	96.0	0.80	1.8	0.6	6.0	700	13730	23200	8004-12
	2500	313	496	96.1	0.80	1.8	0.6	6.0	760	15140	24400	8006-12
	2800	350	496	96.2	0.80	1.8	0.6	6.0	820	16680	25700	8008-12
900-12	3150	389	497	96.3	0.81	1.8	0.6	6.0	1290	18460	30200	9005-12
	3550	437	497	96.4	0.81	1.8	0.6	6.0	1400	20430	31800	9007-12
	4000	493	497	96.4	0.81	1.8	0.6	6.0	1470	21460	32400	9008-12
	4500	555	497	96.4	0.81	1.8	0.6	6.0	1530	22530	33400	9009-12
1000-12	5000	601	497	96.5	0.83	1.8	0.6	6.0	2110	22750	34400	10004-12
	5600	672	497	96.6	0.83	1.8	0.6	6.0	2310	25100	36200	10006-12
	6300	756	497	96.6	0.83	1.8	0.6	6.0	2530	27800	38600	10008-12
	7100	851	497	96.7	0.83	1.8	0.6	6.0	2600	28630	39400	10009-12

7、YXKK系列三相异步电动机技术数据表（6kV 50Hz 16极）

7.YXKK Series 6kV 50Hz 16 Poles Three-phase Asynchronous Motors Technical Data

710-16	800	120	371	94.6	0.68	1.8	0.6	6.0	390	15100	18100	7104-16
	900	134	371	94.7	0.68	1.8	0.6	6.0	410	15800	18500	7105-16
	1000	149	371	94.8	0.68	1.8	0.6	6.0	440	16300	19400	7107-16
	1120	167	371	94.9	0.68	1.8	0.6	6.0	480	17000	20300	7109-16
800-16	1250	178	372	95.0	0.71	1.8	0.6	6.0	640	17600	21800	8002-16
	1400	200	372	95.1	0.71	1.8	0.6	6.0	700	19240	23000	8004-16
	1600	228	372	95.1	0.71	1.8	0.6	6.0	720	20160	23500	8005-16
	1800	256	372	95.2	0.71	1.8	0.6	6.0	790	22230	24800	8007-16
	2000	284	370	95.3	0.71	1.8	0.6	6.0	840	24600	26100	8009-16
900-16	2240	286	370	95.4	0.79	1.8	0.6	6.0	1220	25550	28700	9004-16
	2500	319	370	95.5	0.79	1.8	0.6	6.0	1340	27920	30500	9006-16
	2800	357	370	95.6	0.79	1.8	0.6	6.0	1460	30610	31900	9008-16
	3150	401	370	95.6	0.79	1.8	0.6	6.0	1530	32430	32900	9009-16
1000-16	3550	435	371	95.7	0.82	1.8	0.6	6.0	2180	35610	32800	10003-16
	4000	490	371	95.8	0.82	1.8	0.6	6.0	2370	39040	34100	10005-16
	4500	551	371	95.9	0.82	1.8	0.6	6.0	2590	43330	36700	10007-16
	5000	611	371	96.0	0.82	1.8	0.6	6.0	2800	46660	38700	10009-16

十. YX、YXKS系列主要技术数据 (10kV) YX,YXKS SERIES TECHNICAL DATA (10kV)

型号 Type	额定 功率 kW	额定 电流 A	额定 转速 r/min	效率 %	功率 因数 cos φ	最大转 矩倍数 T _m *	堵转转 矩倍数 T _{st} *	堵转电 流倍数 I _{st} *	电机转 动惯量 J _M kg. m ²	负载转 动惯量 ≤J _L kg. m ²	YX 总重 kg	YXKS 总重 kg	代号 Code
1、YX、YXKS系列三相异步电动机技术数据表 (10kV 50Hz 2极) 1.YX,YXKS Series 10kV 50Hz 2 Poles Three-phase Asynchronous Motors Technical Data													
400-2	400	27	2977	95.2	0.90	2.0	0.6	6.0	10	50	2500	3350	4003-2
	450	30	2978	95.4	0.90	2.0	0.6	6.0	10	50	2600	3450	4003-2
	500	33	2979	95.5	0.90	2.0	0.6	6.0	10	50	2700	3550	4003-2
	560	37	2979	95.6	0.90	2.0	0.5	6.0	11	50	2800	3650	4004-2
450-2	630	43	2980	95.6	0.90	2.0	0.5	6.0	14	80	3400	4370	4502-2
	710	47	2980	95.7	0.90	2.0	0.5	6.0	15	80	3600	4570	4503-2
	800	53	2980	95.8	0.90	2.0	0.5	6.0	16	80	3800	4770	4504-2
	900	59	2980	95.9	0.91	2.0	0.5	6.0	16	90	4300	5270	4504-2
500-2	1000	65	2983	96.0	0.93	2.0	0.5	6.0	23	100	5200	6150	5004-2
	1120	72	2983	96.1	0.93	2.0	0.5	6.0	24	110	6000	6950	5005-2
	1250	80	2984	96.3	0.93	2.0	0.5	6.0	26	110	6400	7350	5006-2
	1400	90	2984	96.4	0.93	2.0	0.5	6.0	26	110	6800	7750	5006-2
2、YX、YXKS系列三相异步电动机技术数据表 (10kV 50Hz 4极) 2.YX,YXKS Series 10kV 50Hz 4 Poles Three-phase Asynchronous Motors Technical Data													
400-4	355	25	1488	94.6	0.87	2.0	0.7	7.0	7.0	85	2960	3135	4002-4
	400	28	1488	94.7	0.87	2.0	0.7	7.0	9.0	90	3070	3245	4002-4
	450	32	1488	95.1	0.87	2.0	0.7	7.0	9.5	95	3160	3335	4003-4
	500	35	1488	95.1	0.87	2.0	0.7	7.0	10	102	3250	3425	4004-4
450-4	560	39	1489	95.3	0.88	2.0	0.7	7.0	16	190	3760	3940	4503-4
	630	43	1489	95.5	0.88	2.0	0.7	7.0	17	195	3870	4050	4503-4
	710	49	1489	96.0	0.88	2.0	0.7	7.0	22	205	3960	4140	4504-4
	800	55	1488	96.0	0.88	2.0	0.7	7.0	24	210	4040	4220	4504-4
500-4	900	61	1490	96.1	0.89	2.0	0.7	7.0	39	215	5300	5545	5003-4
	1000	67	1490	96.2	0.89	2.0	0.7	7.0	42	220	5450	5695	5004-4
	1120	75	1490	96.3	0.89	2.0	0.7	7.0	45	225	5600	5845	5005-4
	1250	84	1489	96.4	0.89	2.0	0.7	7.0	48	230	5750	5995	5006-4
560-4	1400	94	1490	96.5	0.89	2.0	0.7	7.0	65	290	6630	6980	5601-4
	1600	107	1490	96.6	0.89	2.0	0.7	7.0	75	330	6930	7280	5603-4
	1800	121	1490	96.7	0.89	2.0	0.7	7.0	79	360	7080	7430	5604-4
	2000	134	1491	96.8	0.89	2.0	0.7	7.0	88	380	7450	7800	5606-4
630-4	2240	150	1490	96.9	0.89	2.0	0.5	6.5	99	410	9260	9640	6302-4
	2500	167	1490	96.9	0.89	2.0	0.5	6.5	118	420	9490	9870	6303-4
	2800	187	1490	96.9	0.89	2.0	0.5	6.5	126	480	9660	10140	6305-4
	3150	211	1490	96.9	0.89	2.0	0.5	6.5	137	530	9990	10370	6306-4
710-4	3550	238	1494	96.9	0.89	1.8	0.5	6.5	272	1540	15500	16000	7101-4
	4000	268	1494	96.9	0.89	1.8	0.5	6.5	290	1570	16400	16900	7103-4
	4500	301	1493	96.9	0.89	1.8	0.5	6.5	290	1620	16500	17000	7103-4
	5000	334	1494	97.0	0.89	1.8	0.5	6.5	300	1730	17200	17700	7104-4
800-4	5600	370	1494	97.0	0.90	1.8	0.5	6.5	510	1800	20600	21200	8002-4
	6300	416	1494	97.1	0.90	1.8	0.5	6.5	530	1850	21100	21700	8003-4
	7100	469	1494	97.2	0.90	1.8	0.5	6.5	570	1900	22100	22800	8005-4
900-4	8000	522	1495	97.3	0.91	1.8	0.4	6.5	830	1930	26600	27400	9001-4
	9000	587	1494	97.3	0.91	1.8	0.4	6.5	840	2080	27200	28000	9002-4
	10000	651	1495	97.4	0.91	1.8	0.4	6.5	915	2260	28300	29100	9004-4
3、YX、YXKS系列三相异步电动机技术数据表 (10kV 50Hz 6极) 3.YX,YXKS Series 10kV 50Hz 6 Poles Three-phase Asynchronous Motors Technical Data													
400-6	355	27	990	94.4	0.82	2.0	0.8	6.5	18	270	3150	3305	4004-6
	400	30	988	94.6	0.82	2.0	0.8	6.5	26	280	3190	3345	4005-6

型号 Type	额定 功率 kW	额定 电流 A	额定 转速 r/min	效率 %	功率 因数 cos φ	最大转 矩倍数 T _m *	堵转转 矩倍数 T _{st} *	堵转电 流倍数 I _{st} *	电机转 动惯量 J _M kg·m ²	负载转 动惯量 ≤J _L kg·m ²	YX 总重 kg	YXKS 总重 kg	代号 Code
450-6	450	34	991	94.7	0.84	2.0	0.6	6.0	28	290	4010	4190	4503-6
	500	36	991	95.1	0.84	2.0	0.6	6.0	30	320	4120	4300	4504-6
	560	40	991	95.2	0.84	2.0	0.6	6.0	32	350	4240	4420	4506-6
	630	45	991	95.5	0.84	2.0	0.6	6.0	35	380	4360	4540	4506-6
500-6	710	51	992	95.6	0.84	2.0	0.6	6.1	47	450	5060	5285	5003-6
	800	56	992	95.7	0.86	1.8	0.6	6.1	52	460	5240	5465	5004-6
	900	63	992	95.9	0.86	1.8	0.6	6.1	57	475	5400	5625	5005-6
	1000	70	992	96.0	0.86	1.8	0.6	6.1	62	480	5740	5965	5007-6
560-6	1120	78	993	96.2	0.86	1.8	0.6	6.1	99	490	7110	7475	5602-6
	1250	87	993	96.3	0.86	2.0	0.6	6.1	106	550	7270	7635	5603-6
	1400	97	993	96.5	0.86	2.0	0.6	6.1	115	650	7450	7815	5604-6
	1600	111	993	96.6	0.86	2.0	0.6	6.1	129	680	7610	7975	5606-6
630-6	1800	125	993	96.6	0.86	2.0	0.6	6.5	159	980	9320	9650	6303-6
	2000	139	993	96.6	0.86	2.0	0.6	6.5	163	1062	9550	9880	6305-6
	2240	156	993	96.6	0.86	2.0	0.6	6.5	175	1080	9660	10090	6305-6
	2500	174	993	96.6	0.86	2.0	0.6	6.5	180	1221	9850	10280	6306-6
710-6	2800	192	994	96.7	0.87	1.8	0.6	6.5	340	2830	16300	16800	7103-6
	3150	216	994	96.7	0.87	1.8	0.6	6.5	350	2980	17100	17600	7104-6
	3550	243	994	96.8	0.87	1.8	0.6	6.5	370	3130	17500	18000	7105-6
	4000	274	993	96.9	0.87	1.8	0.6	6.5	410	3460	18600	19200	7108-6
800-6	4500	305	995	96.9	0.88	1.8	0.6	6.5	590	3520	21500	22200	8004-6
	5000	339	995	96.9	0.88	1.8	0.6	6.5	640	3790	22700	23300	8006-6
	5600	379	995	96.9	0.88	1.8	0.6	6.5	690	3990	23800	24500	8008-6
900-6	6300	421	995	97.0	0.89	1.8	0.6	6.5	920	4160	26900	27700	9003-6
	7100	474	995	97.1	0.89	1.8	0.6	6.5	1000	4200	28300	29100	9003-6
	8000	534	995	97.2	0.89	1.8	0.6	6.5	1080	4590	29700	30600	9007-6
1000-6	9000	600	996	97.3	0.89	1.8	0.5	6.5	1700	4730	30700	31700	10002-6
	10000	667	996	97.3	0.89	1.8	0.6	6.5	1930	5580	32700	33700	10005-6
	11200	746	996	97.4	0.89	1.8	0.6	6.5	2010	5920	34100	35100	10006-6
	12500	832	996	97.5	0.89	1.8	0.6	6.5	2220	6560	36200	37300	10008-6

4、YX、YXKS系列三相异步电动机技术数据表（10kV 50Hz 8极）

4.YX,YXKS Series 10kV 50Hz 8 Poles Three-phase Asynchronous Motors Technic

500-8	355	28	744	94.4	0.77	2.0	0.6	6.0	35	650	4440	4665	5002-8
	400	31	744	94.5	0.79	2.0	0.6	6.0	54	670	4520	4845	5002-8
	450	34	744	94.6	0.80	2.0	0.6	6.0	59	710	4760	4985	5002-8
	500	38	744	95.0	0.80	2.0	0.6	6.0	65	760	4940	5165	5003-8
	560	43	744	95.1	0.80	2.0	0.6	6.0	70	830	5100	5325	5004-8
	630	48	742	95.5	0.80	2.0	0.6	6.0	81	1020	5440	5665	5006-8
560-8	710	52	742	95.6	0.82	1.8	0.7	6.0	112	1060	6610	6950	5601-8
	800	59	742	95.7	0.82	1.8	0.7	6.0	118	1070	6780	7120	5601-8
	900	66	742	95.8	0.82	1.8	0.7	6.0	121	1320	6850	7190	5602-8
	1000	73	742	96.0	0.82	1.8	0.7	6.0	130	1450	7110	7450	5605-8
	1120	82	742	96.1	0.82	1.8	0.7	6.0	147	1520	7310	7650	5605-8
630-8	1250	88	744	96.2	0.84	2.0	0.5	6.5	199	1620	9320	9670	6303-8
	1400	99	744	96.2	0.84	2.0	0.5	6.5	209	1650	9550	9900	6304-8
	1600	113	744	96.2	0.84	2.0	0.5	6.5	220	1950	9760	10110	6307-8
	1800	127	744	96.2	0.84	2.0	0.5	6.5	250	2290	9950	10300	6308-8
710-8	2000	143	745	96.2	0.84	1.8	0.5	6.5	381	4570	17100	17500	7103-8
	2240	160	745	96.2	0.84	1.8	0.5	6.5	413	4800	17400	17900	7105-8
	2500	178	745	96.3	0.84	1.8	0.5	6.5	442	5010	18700	18300	7107-8
	2800	200	745	96.4	0.84	1.8	0.5	6.5	463	5270	19100	18700	7108-8
800-8	3150	222	745	96.4	0.85	1.8	0.6	6.5	580	5570	20400	21000	8002-8
	3550	250	745	96.5	0.85	1.8	0.6	6.5	630	5870	21400	22100	8004-8
	4000	281	745	96.6	0.85	1.8	0.6	6.5	680	6140	22600	23200	8006-8

型号 Type	额定 功率 kW	额定 电流 A	额定 转速 r/min	效率 %	功率 因数 cos φ	最大转 矩倍数 T _m *	堵转转 矩倍数 T _{st} *	堵转电 流倍数 I _{st} *	电机转 动惯量 J _M kg. m ²	负载转 动惯量 ≤J _L kg. m ²	YX 总重 kg	YXKS 总重 kg	代号 Code
900-8	4500	309	745	96.7	0.87	1.8	0.6	6.5	1040	6660	26100	26900	9002-8
	5000	343	745	96.8	0.87	1.8	0.6	6.5	1120	7380	27100	27900	9004-8
	5600	384	745	96.9	0.87	1.8	0.6	6.5	1180	7730	28100	28900	9005-8
	6300	431	745	96.9	0.87	1.8	0.6	6.5	1330	9020	30000	30900	9008-8
1000-8	7100	480	747	97.0	0.88	1.8	0.6	6.5	1730	10760	31300	32200	10003-8
	8000	541	747	97.1	0.88	1.8	0.6	6.5	1800	11350	32100	33100	10004-8
	9000	607	747	97.2	0.88	1.8	0.6	6.5	1950	12450	32400	33400	10005-8
	10000	674	747	97.3	0.88	1.8	0.6	6.5	2030	13180	34800	35800	10007-8

5、YX、YXKS系列三相异步电动机技术数据表（10kV 50Hz 10极）
5.YX,YXKS Series 10kV 50Hz 10 Poles Three-phase Asynchronous Motors Technic

500-10	355	29	593	94.2	0.76	2.0	0.7	6.0	62	1080	5340	5545	5003-10
	400	32	593	94.3	0.76	2.0	0.7	6.0	68	1180	5520	5725	5004-10
	450	35	593	94.5	0.78	2.0	0.7	6.0	71	1270	5580	5785	5005-10
	500	39	593	94.6	0.78	2.0	0.7	6.0	76	1350	5800	6005	5006-10
	560	44	592	94.7	0.78	2.0	0.7	6.0	85	1490	6000	6205	5008-10
560-10	630	48	593	94.9	0.80	2.0	0.7	6.0	147	1520	6950	7270	5603-10
	710	54	593	95.1	0.80	2.0	0.7	6.0	152	1760	7080	7400	5604-10
	800	61	593	95.4	0.80	2.0	0.7	6.0	165	1950	7230	7550	5605-10
	900	68	593	95.6	0.80	2.0	0.7	6.0	175	2130	7580	7900	5606-10
630-10	1000	76	594	95.6	0.80	2.0	0.7	6.0	208	2230	9150	9500	6305-10
	1120	85	594	95.7	0.80	2.0	0.7	6.0	230	2260	9230	9680	6306-10
	1250	94	594	95.7	0.80	2.0	0.7	6.0	269	2510	9510	9860	6308-10
	1400	106	594	95.7	0.80	2.0	0.7	6.0	283	2910	9910	10260	6309-10
710-10	1600	124	596	95.7	0.78	1.8	0.6	6.0	390	5580	17300	17800	7105-10
	1800	136	596	95.8	0.78	1.8	0.6	6.0	410	6000	18100	18600	7107-10
	2000	154	596	95.9	0.78	1.8	0.6	6.0	430	6430	18400	19000	7108-10
800-10	2240	168	595	96.0	0.80	1.8	0.6	6.0	610	7860	20300	20900	8002-10
	2500	188	595	96.0	0.80	1.8	0.6	6.0	635	8270	20800	21400	8003-10
	2800	210	595	96.1	0.80	1.8	0.6	6.0	690	9000	21800	21500	8005-10
	3150	236	595	96.2	0.80	1.8	0.6	6.0	750	9920	23000	23700	8007-10
	3550	266	595	96.3	0.80	1.8	0.6	6.0	780	10470	23600	24300	8008-10
900-10	4000	285	595	96.4	0.84	1.8	0.6	6.0	1220	11350	26900	27700	9004-10
	4500	321	595	96.4	0.84	1.8	0.6	6.0	1335	12570	28600	29400	9006-10
	5000	356	596	96.5	0.84	1.8	0.6	6.0	1520	13860	29400	31700	9009-10
1000-10	5600	394	596	96.6	0.85	1.8	0.6	6.0	1750	14050	30700	30300	10001-10
	6300	443	596	96.7	0.85	1.8	0.6	6.0	1990	16200	31800	32700	10004-10
	7100	498	596	96.8	0.85	1.8	0.6	6.0	2170	17570	33400	34500	10006-10

5、YX、YXKS系列三相异步电动机技术数据表（10kV 50Hz 12极）
5.YX,YXKS Series 10kV 50Hz 12 Poles Three-phase Asynchronous Motors Technic

500-12	355	30	494	93.9	0.73	1.8	0.7	6.0	77	1490	5660	5865	5004-12
	400	34	494	94.1	0.73	1.8	0.7	6.0	83	1510	5740	5945	5006-12
	450	38	494	94.2	0.73	1.8	0.7	6.0	89	1550	5820	6025	5007-12
560-12	500	41	493	94.5	0.74	1.8	0.7	6.0	135	1590	6710	7040	5601-12
	560	46	493	94.7	0.74	1.8	0.7	6.0	155	1850	6920	7250	5603-12
	630	52	493	94.9	0.74	1.8	0.7	6.0	165	2150	7130	7460	5604-12
	710	58	494	95.1	0.74	1.8	0.7	6.0	185	2260	7550	7880	5606-12
630-12	800	63	494	95.3	0.77	1.8	0.6	6.0	185	2360	9050	9350	6304-12
	900	71	494	95.3	0.77	1.8	0.6	6.0	276	2920	9201	9501	6306-12
	1000	79	494	95.3	0.77	1.8	0.6	6.0	310	3410	9650	9950	6308-12
	1120	88	494	95.3	0.77	1.8	0.6	6.0	341	3460	10110	10410	6309-12
710-12	1250	100	496	95.3	0.77	1.8	0.6	6.0	435	11300	18000	18500	7107-12
	1400	111	496	95.4	0.77	1.8	0.6	6.0	455	11920	18300	18900	7108-12
	1600	127	496	95.5	0.77	1.8	0.6	6.0	475	12510	18800	19400	7109-12

型号 Type	额定 功率 kW	额定 电流 A	额定 转速 r/min	效率 %	功率 因数 cos ϕ	最大转 矩倍数 T _m *	堵转转 矩倍数 T _{st} *	堵转电 流倍数 I _{st} *	电机转 动惯量 J _M kg·m ²	负载转 动惯量 ≤J _L kg·m ²	YX 总重 kg	YXKS 总重 kg	代号 Code
800-12	1800	138	495	95.6	0.79	1.8	0.6	6.0	670	12780	20700	21300	8003-12
	2000	153	496	95.6	0.79	1.8	0.6	6.0	700	13420	21200	21800	8004-12
	2240	171	495	95.7	0.79	1.8	0.6	6.0	760	14140	22300	23000	8006-12
	2500	191	495	95.8	0.79	1.8	0.6	6.0	820	15030	23500	24200	8008-12
900-12	2800	211	496	95.9	0.80	1.8	0.6	6.0	1140	15710	25700	26400	9002-12
	3150	237	496	96.0	0.80	1.8	0.6	6.0	1230	17180	26700	27500	9004-12
	3550	267	496	96.0	0.80	1.8	0.6	6.0	1350	18950	28400	29200	9006-12
	4000	300	496	96.1	0.80	1.8	0.6	6.0	1470	19970	29600	30500	9008-12
1000-12	4500	338	497	96.2	0.80	1.8	0.6	6.0	1930	20500	29800	30700	10002-12
	5000	375	497	96.3	0.80	1.8	0.6	6.0	2120	22520	31500	32400	10004-12
	5600	419	497	96.4	0.80	1.8	0.6	6.0	2310	24670	33100	34100	10006-12
	6300	471	497	96.5	0.80	1.8	0.6	6.0	2550	27270	35300	36400	10008-12

6、YX、YXKS系列三相异步电动机技术数据表（10kV 50Hz 16极）

6.YX,YXKS Series 10kV 50Hz 16 Poles Three-phase Asynchronous Motors Technic

710-16	630	57	372	94.5	0.68	1.8	0.6	6.0	440	15090	17800	18300	7107-16
	710	64	372	94.6	0.68	1.8	0.6	6.0	460	15800	18100	18600	7108-16
	800	72	372	94.6	0.68	1.8	0.6	6.0	480	16030	18600	19200	7109-16
	900	81	372	94.7	0.68	1.8	0.6	6.0	520	16900	19900	20500	71011-16
800-16	1000	88	373	94.8	0.69	1.8	0.6	6.0	645	17900	20000	20600	8002-16
	1120	99	372	94.9	0.69	1.8	0.6	6.0	725	18680	21500	22200	8005-16
	1250	110	373	95.0	0.69	1.8	0.6	6.0	790	19630	22700	23300	8007-16
	1400	123	373	95.1	0.69	1.8	0.6	6.0	900	22180	24700	25500	80010-16
900-16	1600	128	371	95.1	0.76	1.8	0.6	6.0	1130	23850	25300	26000	9002-16
	1800	144	371	95.2	0.76	1.8	0.6	6.0	1230	26030	26300	27100	9004-16
	2000	159	371	95.3	0.76	1.8	0.6	6.0	1350	28730	27900	28800	9006-16
	2240	178	371	95.4	0.76	1.8	0.6	6.0	1470	31760	29200	30100	9008-16
	2500	199	372	95.5	0.76	1.8	0.6	6.0	1660	35330	30000	30900	90011-16
1000-16	2800	209	372	95.6	0.81	1.8	0.6	6.0	2210	36260	31400	32300	10003-16
	3150	235	371	95.6	0.81	1.8	0.6	6.0	2480	40860	32500	33500	10006-16
	3550	265	371	95.6	0.81	1.8	0.6	6.0	2820	46620	35400	36500	10009-16
	4000	298	372	95.7	0.81	1.8	0.6	6.0	3060	51760	37300	38400	100012-16

十一. YXKK系列主要技术数据 (10kV) YXKK SERIES TECHNICAL DATA (10kV)

型号 Type	额定 功率 kW	额定 电流 A	额定 转速 r/min	效率 %	功率 因数 cos φ	最大转矩 倍数 T _m *	堵转转矩 倍数 T _{st} *	堵转电流 倍数 I _{st} *	电机转动 惯量 J _M kg·m ²	负载转动 惯量≤J _L kg·m ²	YXKK 总重 kg	代号 Code
1、YXKK系列三相异步电动机技术数据表 (10kV 50Hz 2极) 1.YXKK Series 10kV 50Hz 2 Poles Three-phase Asynchronous Motors Technical Data												
400-2	280	19	2978	93.6	0.91	2.0	0.6	7.0	10	50	3350	4003-2
	315	21	2978	93.9	0.91	2.0	0.6	6.0	10	50	3450	4003-2
	355	24	2979	94.7	0.91	2.0	0.6	6.5	10	50	3550	4003-2
	400	27	2979	94.9	0.92	2.0	0.6	6.5	11	50	3650	4004-2
450-2	450	30	2983	95.1	0.92	2.0	0.6	7.0	15	80	4710	4503-2
	500	33	2983	95.2	0.92	2.0	0.5	6.5	15	80	4910	4503-2
	560	37	2984	95.3	0.92	2.0	0.5	6.7	16	80	5110	4504-2
	630	41	2984	95.3	0.92	2.0	0.5	6.0	16	80	5410	4504-2
500-2	710	47	2985	95.4	0.92	2.0	0.5	6.7	25	90	7200	5005-2
	800	53	2985	95.5	0.92	2.0	0.5	6.0	25	100	7700	5005-2
	900	59	2986	95.6	0.92	2.0	0.5	6.5	25	110	8100	5005-2
2、YXKK系列三相异步电动机技术数据表 (10kV 50Hz 4极) 2.YXKK Series 10kV 50Hz 4 Poles Three-phase Asynchronous Motors Technical Data												
400-4	355	25	1488	94.3	0.86	2.0	0.7	7.0	12	160	3680	4002-4
	400	28	1487	94.4	0.86	2.0	0.7	7.0	14	175	3770	4003-4
	450	32	1488	94.8	0.86	2.0	0.7	7.0	15	180	3860	4004-4
450-4	500	35	1490	94.8	0.86	2.0	0.8	7.0	16	190	4430	4502-4
	560	39	1490	95.0	0.87	2.0	0.8	7.0	17	195	4540	4503-4
	630	44	1490	95.2	0.87	2.0	0.8	7.0	22	205	4630	4504-4
	710	49	1489	95.7	0.87	2.0	0.8	7.0	24	210	4710	4504-4
500-4	800	54	1492	95.7	0.88	2.0	0.8	7.0	39	215	6070	5003-4
	900	61	1492	95.8	0.88	2.0	0.8	7.0	42	220	6220	5004-4
	1000	68	1492	95.9	0.88	2.0	0.8	7.0	45	225	6370	5005-4
	1120	76	1491	96.0	0.88	2.0	0.8	7.0	48	230	6520	5006-4
560-4	1250	84	1492	96.1	0.88	2.0	0.8	7.0	65	350	7630	5601-4
	1400	94	1492	96.2	0.88	2.0	0.8	7.0	75	380	7930	5603-4
	1600	108	1492	96.3	0.88	2.0	0.8	7.0	79	410	8080	5604-4
	1800	121	1491	96.4	0.88	2.0	0.8	7.0	88	440	8450	5606-4
630-4	2000	136	1493	96.5	0.88	2.0	0.6	6.5	108	460	10310	6302-4
	2240	152	1493	96.6	0.88	2.0	0.6	6.5	118	550	10570	6303-4
	2500	170	1493	96.6	0.88	2.0	0.6	6.5	126	690	11080	6305-4
	2800	190	1492	96.6	0.88	2.0	0.6	6.5	137	820	11350	6306-4
710-4	3150	214	1495	96.7	0.88	1.8	0.6	6.5	270	1580	17600	7101-4
	3550	241	1495	96.7	0.88	1.8	0.6	6.5	300	1750	19500	7104-4
	4000	271	1495	96.7	0.88	1.8	0.6	6.5	320	1920	20400	7106-4
800-4	4500	299	1495	96.7	0.90	1.8	0.5	6.5	440	2000	22700	8001-4
	5000	331	1495	96.8	0.90	1.8	0.5	6.5	460	2170	23300	8002-4
	5600	371	1495	96.8	0.90	1.8	0.5	6.5	490	2340	24500	8004-4
3、YXKK系列三相异步电动机技术数据表 (10kV 50Hz 6极) 3.YXKK Series 10kV 50Hz 6 Poles Three-phase Asynchronous Motors Technical Data												
450-6	355	26	991	94.2	0.83	2.0	0.8	7.0	26	310	4580	4502-6
	400	30	991	94.4	0.83	2.0	0.8	7.0	27	320	4680	4503-6
	450	33	991	94.5	0.83	2.0	0.8	7.0	28	330	4790	4504-6
	500	37	990	94.9	0.83	2.0	0.8	7.0	30	350	4910	4506-6
	560	41	991	95.0	0.83	2.0	0.8	7.0	32	380	5030	4506-6
500-6	630	44	992	95.3	0.86	2.0	0.7	7.0	42	400	6010	5004-6
	710	50	992	95.4	0.86	2.0	0.7	7.0	52	470	6170	5006-6
	800	56	992	95.5	0.86	2.0	0.7	7.0	57	555	6510	5006-6

型号 Type	额定 功率 kW	额定 电流 A	额定 转速 r/min	效率 %	功率 因数 cos φ	最大转矩 倍数 T _m *	堵转转矩 倍数 T _{st} *	堵转电流 倍数 I _{st} *	电机转动 惯量 J _M kg·m ²	负载转动 惯量≤J _L kg·m ²	YXKK 总重 kg	代号 Code
450-6	355	26	991	94.2	0.83	2.0	0.8	7.0	26	310	4580	4502-6
	400	30	991	94.4	0.83	2.0	0.8	7.0	27	320	4680	4503-6
	450	33	991	94.5	0.83	2.0	0.8	7.0	28	330	4790	4504-6
	500	37	990	94.9	0.83	2.0	0.8	7.0	30	350	4910	4506-6
	560	41	991	95.0	0.83	2.0	0.8	7.0	32	380	5030	4506-6
500-6	630	44	992	95.3	0.86	2.0	0.7	7.0	42	400	6010	5004-6
	710	50	992	95.4	0.86	2.0	0.7	7.0	52	470	6170	5006-6
	800	56	992	95.5	0.86	2.0	0.7	7.0	57	555	6510	5006-6
560-6	900	62	993	95.7	0.86	2.0	0.8	7.0	82	590	8110	5601-6
	1000	69	993	95.8	0.86	2.0	0.8	7.0	99	610	8270	5602-6
	1120	77	993	96.0	0.86	2.0	0.8	7.0	106	690	8450	5603-6
	1250	86	994	96.1	0.86	2.0	0.8	7.0	115	750	8610	5604-6
630-6	1400	97	994	96.3	0.86	2.0	0.8	6.5	150	1120	10380	6303-6
	1600	111	994	96.4	0.86	2.0	0.7	6.5	160	1250	10540	6304-6
	1800	125	994	96.4	0.86	2.0	0.7	6.5	163	1320	10750	6305-6
	2000	139	994	96.4	0.86	2.0	0.7	6.5	175	1450	11160	6305-6
	2240	156	994	96.4	0.86	2.0	0.7	6.5	180	1590	11350	6306-6
710-6	2500	172	994	96.4	0.87	1.8	0.6	6.5	350	3040	19300	7104-6
	2800	193	994	96.5	0.87	1.8	0.6	6.5	365	3100	19800	7105-6
	3150	217	994	96.5	0.87	1.8	0.6	6.5	380	3250	20300	7106-6
	3550	244	994	96.6	0.87	1.8	0.6	6.5	410	3370	21100	7108-6
800-6	4000	271	996	96.7	0.88	1.8	0.6	6.5	600	3390	24400	8004-6
	4500	305	995	96.7	0.88	1.8	0.6	6.5	640	3850	25700	8006-6
	5000	339	995	96.7	0.88	1.8	0.6	6.5	660	4110	26300	8007-6
900-6	5600	376	996	96.7	0.89	1.8	0.6	6.5	920	4260	30500	9003-6
	6300	422	996	96.8	0.89	1.8	0.6	6.5	995	4400	32000	9005-6
	7100	475	996	96.9	0.89	1.8	0.6	6.5	1070	4610	33700	9007-6
1000-6	8000	529	996	97.0	0.90	1.8	0.6	6.5	1700	4820	34800	10002-6
	9000	595	997	97.1	0.90	1.8	0.6	6.5	1930	5720	37100	10005-6
	10000	660	996	97.2	0.90	1.8	0.6	6.5	2100	6330	39800	10007-6
	11200	739	997	97.2	0.90	1.8	0.6	6.5	2215	6730	41100	10008-6

4、YXKK系列三相异步电动机技术数据表（10kV 50Hz 8极）

4.YXKK Series 10kV 50Hz 8 Poles Three-phase Asynchronous Motors Technical Data

500-8	355	28	743	94.4	0.79	2.0	0.7	6.0	54	710	5390	5001-8
	400	31	743	94.5	0.79	2.0	0.7	6.0	59	750	5530	5002-8
	450	35	743	94.6	0.79	2.0	0.7	6.0	65	870	5710	5003-8
	500	39	743	95.0	0.79	2.0	0.7	6.0	70	950	5870	5004-8
	560	43	744	95.1	0.79	2.0	0.7	6.0	78	990	6210	5006-8
560-8	630	46	743	95.5	0.82	2.0	0.7	6.0	97	1020	7780	5601-8
	710	52	743	95.6	0.82	2.0	0.7	6.0	118	1070	7850	5604-8
	800	59	743	95.7	0.82	2.0	0.7	6.0	121	1320	8110	5604-8
	900	66	743	95.8	0.82	2.0	0.7	6.0	130	1450	8310	5605-8
630-8	1000	72	745	96.0	0.83	2.0	0.6	6.5	147	1520	10310	6303-8
	1120	80	745	96.1	0.83	2.0	0.6	6.5	209	1550	10490	6304-8
	1250	89	745	96.2	0.83	2.0	0.6	6.5	220	1650	10690	6306-8
	1400	100	745	96.2	0.83	2.0	0.6	6.5	245	1760	10950	6307-8
	1600	114	745	96.2	0.83	2.0	0.6	6.5	255	2520	11220	6308-8
710-8	1800	130	746	96.2	0.83	1.8	0.6	6.5	380	6050	18400	7103-8
	2000	145	747	96.2	0.83	1.8	0.6	6.5	413	6200	19700	7105-8
	2240	162	746	96.2	0.83	1.8	0.6	6.5	420	6240	20000	7105-8
	2500	181	747	96.3	0.83	1.8	0.6	6.5	460	6330	21000	7108-8
800-8	2800	200	746	96.4	0.85	1.8	0.6	6.5	665	6600	24900	8005-8
	3150	225	746	96.4	0.85	1.8	0.6	6.5	665	7000	25000	8005-8
	3550	253	746	96.5	0.85	1.8	0.6	6.5	700	7880	25600	8006-8

型号 Type	额定 功率 kW	额定 电流 A	额定 转速 r/min	效率 %	功率 因数 cos φ	最大转矩 倍数 T _m *	堵转转矩 倍数 T _{st} *	堵转电流 倍数 I _{st} *	电机转动 惯量 J _M kg·m ²	负载转动 惯量≤J _L kg·m ²	YXKK 总重 kg	代号 Code
900-8	4000	278	747	96.6	0.86	1.8	0.6	6.5	1060	8360	29600	9002-8
	4500	312	747	96.7	0.86	1.8	0.6	6.5	1130	8800	30700	9004-8
	5000	347	747	96.8	0.86	1.8	0.6	6.5	1200	9300	31800	9005-8
	5600	388	747	96.9	0.86	1.8	0.6	6.5	1480	10120	35800	90010-8
1000-8	6300	427	747	96.9	0.88	1.8	0.6	6.5	1730	10760	35400	10003-8
	7100	480	747	97.0	0.88	1.8	0.6	6.5	1800	11340	36400	10004-8
	8000	541	747	97.1	0.88	1.8	0.6	6.5	1950	12450	38300	10006-8
	9000	607	747	97.2	0.88	1.8	0.6	6.5	2030	13180	39400	10007-8

5、YXKK系列三相异步电动机技术数据表（10kV 50Hz 10极）
5.YXKK Series 10kV 50Hz 10 Poles Three-phase Asynchronous Motors Technical Data

500-10	355	28	593	94.2	0.78	2.0	0.8	5.5	71	1740	6520	5004-10
	400	31	593	94.3	0.78	2.0	0.8	5.5	76	1810	6650	5005-10
	450	35	593	94.5	0.78	2.0	0.8	5.5	85	1910	6770	5006-10
	500	39	593	94.6	0.78	2.0	0.8	5.5	92	1980	6970	5006-10
560-10	560	44	594	94.7	0.78	2.0	0.8	5.5	147	1990	7950	5603-10
	630	49	594	94.9	0.78	2.0	0.8	5.5	152	2050	8080	5604-10
	710	55	594	95.1	0.78	2.0	0.8	5.5	165	2090	8230	5605-10
	800	62	594	95.4	0.78	2.0	0.8	5.5	175	2150	8380	5606-10
630-10	900	68	595	95.6	0.79	2.0	0.8	6.0	210	2190	10490	6303-10
	1000	76	595	95.6	0.79	2.0	0.8	6.0	230	2260	10690	6303-10
	1120	85	595	95.7	0.79	2.0	0.8	6.0	269	2550	10950	6305-10
	1250	94	594	95.7	0.79	2.0	0.8	6.0	283	2910	11220	6306-10
710-10	1400	107	596	95.7	0.79	1.8	0.6	6.0	410	6130	20500	7107-10
	1600	122	596	95.7	0.79	1.8	0.6	6.0	430	6430	20900	7108-10
	1800	137	596	95.8	0.79	1.8	0.6	6.0	450	6640	21500	7109-10
800-10	2000	152	597	95.9	0.79	1.8	0.6	6.0	620	7500	23000	8002-10
	2240	171	597	96.0	0.79	1.8	0.6	6.0	645	8300	23600	8003-10
	2500	190	596	96.0	0.79	1.8	0.6	6.0	680	9150	24700	8005-10
	2800	213	596	96.1	0.79	1.8	0.6	6.0	745	10070	26000	8007-10
	3150	239	596	96.2	0.79	1.8	0.6	6.0	800	11090	27400	8009-10
900-10	3550	256	596	96.3	0.83	1.8	0.6	6.0	1210	11520	30500	9004-10
	4000	289	596	96.4	0.83	1.8	0.6	6.0	1330	12710	32400	9006-10
	4500	325	596	96.4	0.83	1.8	0.6	6.0	1510	13830	34100	9009-10
1000-10	5000	348	597	96.5	0.86	1.8	0.6	6.0	1850	14410	34800	10002-10
	5600	389	597	96.6	0.86	1.8	0.6	6.0	2100	16770	36400	10005-10
	6300	438	597	96.6	0.86	1.8	0.6	6.0	2200	17530	37900	10006-10

6、YXKK系列三相异步电动机技术数据表（10kV 50Hz 12极）
6.YXKK Series 10kV 50Hz 12 Poles Three-phase Asynchronous Motors Technical Data

500-12	355	30	494	93.9	0.72	2.0	0.8	5.5	72	2020	6510	5007-12
	400	34	494	94.1	0.72	2.0	0.8	5.5	77	2090	6590	5008-12
560-12	450	38	494	94.2	0.72	2.0	0.8	5.5	141	2190	7920	5603-12
	500	42	494	94.5	0.72	2.0	0.8	5.5	155	2230	8130	5604-12
	560	47	494	94.7	0.72	2.0	0.8	5.5	165	2490	8550	5606-12
630-12	630	50	495	94.9	0.74	2.0	0.7	6.0	185	2620	10090	6303-12
	710	57	495	95.1	0.74	2.0	0.7	6.0	276	2870	10190	6304-12
	800	64	495	95.3	0.74	2.0	0.7	6.0	276	2920	10230	6306-12
	900	72	495	95.3	0.74	2.0	0.7	6.0	310	3410	10750	6308-12
	1000	80	495	95.3	0.74	2.0	0.7	6.0	341	3630	11310	6309-12
710-12	1120	92	497	95.3	0.74	1.8	0.6	6.5	440	11450	20400	7107-12
	1250	102	497	95.3	0.74	1.8	0.6	6.5	460	12070	20700	7108-12
	1400	114	497	95.4	0.74	1.8	0.6	6.5	480	12890	21300	7109-12
800-12	1600	124	497	95.5	0.78	1.8	0.6	6.0	670	13900	23400	8003-12
	1800	139	497	95.6	0.78	1.8	0.6	6.0	710	14330	24000	8004-12

型号 Type	额定 功率 kW	额定 电流 A	额定 转速 r/min	效率 %	功率 因数 cos ϕ	最大转矩 倍数 T _m *	堵转转矩 倍数 T _{st} *	堵转电流 倍数 I _{st} *	电机转动 惯量 J _M kg·m ²	负载转动 惯量 \leq J _L kg·m ²	YXKK 总重 kg	代号 Code
800-12	2000	155	497	95.6	0.78	1.8	0.6	6.0	770	16010	25300	8006-12
	2240	173	496	95.7	0.78	1.8	0.6	6.0	820	16500	26600	8008-12
900-12	2500	191	496	95.8	0.79	1.8	0.6	6.0	1180	16550	29800	9003-12
	2800	213	496	95.9	0.79	1.8	0.6	6.0	1230	17460	30300	9004-12
	3150	240	496	96.0	0.79	1.8	0.6	6.0	1350	19260	32100	9006-12
	3550	270	496	96.0	0.79	1.8	0.6	6.0	1470	20300	33600	9008-12
1000-12	4000	304	497	96.1	0.80	1.8	0.6	6.0	1930	20870	33800	10002-12
	4500	338	497	96.1	0.80	1.8	0.6	6.0	2120	22860	35700	10004-12
	5000	375	497	96.2	0.80	1.8	0.6	6.0	2310	25170	37500	10006-12
	5600	420	497	96.3	0.80	1.8	0.6	6.0	2550	27780	40000	10008-12

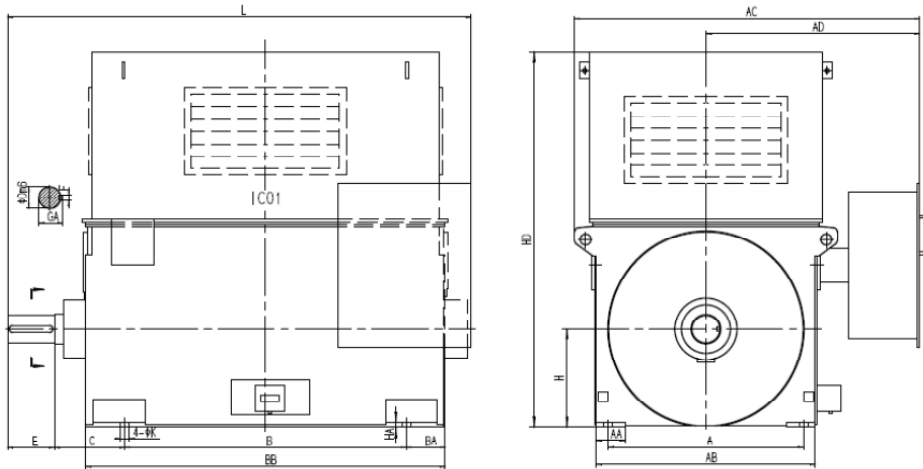
7、YXKK系列三相异步电动机技术数据表（10kV 50Hz 16极）

7.YXKK Series 10kV 50Hz 16 Poles Three-phase Asynchronous Motors Technical Data

710-16	630	57	372	94.5	0.68	1.8	0.6	6.0	440	15090	20200	7107-16
	710	64	372	94.6	0.68	1.8	0.6	6.0	460	15800	20500	7108-16
	800	72	372	94.6	0.68	1.8	0.6	6.0	480	16030	21100	7109-16
	900	81	372	94.7	0.68	1.8	0.6	6.0	520	16900	22500	71011-16
800-16	1000	88	373	94.8	0.69	1.8	0.6	6.0	645	17900	22600	8002-16
	1120	99	372	94.9	0.69	1.8	0.6	6.0	725	18680	24400	8005-16
	1250	110	373	95.0	0.69	1.8	0.6	6.0	790	19630	25700	8007-16
	1400	123	373	95.1	0.69	1.8	0.6	6.0	900	22180	28000	80010-16
900-16	1600	128	371	95.1	0.76	1.8	0.6	6.0	1130	23850	28600	9002-16
	1800	144	371	95.2	0.76	1.8	0.6	6.0	1230	26030	29800	9004-16
	2000	159	371	95.3	0.76	1.8	0.6	6.0	1350	28730	31700	9006-16
	2240	178	371	95.4	0.76	1.8	0.6	6.0	1470	31760	33100	9008-16
	2500	199	372	95.5	0.76	1.8	0.6	6.0	1660	35330	35600	90011-16
1000-16	2800	209	372	95.6	0.81	1.8	0.6	6.0	2210	36260	34000	10003-16
	3150	235	371	95.6	0.81	1.8	0.6	6.0	2480	40860	36800	10006-16
	3550	265	371	95.6	0.81	1.8	0.6	6.0	2820	46620	40100	10009-16
	4000	298	372	95.7	0.81	1.8	0.6	6.0	3060	51760	42200	100012-16

十二. 外形及安装尺寸图 OUTLINE AND MOUNTING DIMENSION

1、YX系列电动机外形及安装尺寸图 (H355~H630, 极数2~12) 1.YX Series Outline and Mounting dimension(H355~H630,Poles2~12)



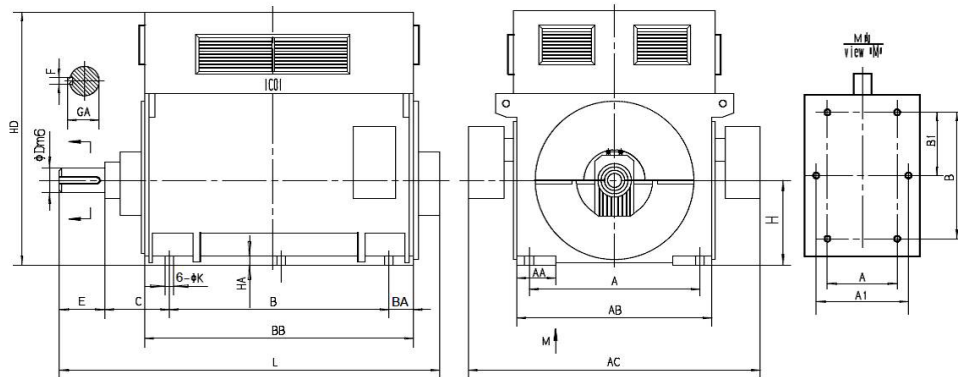
mm

型号-Type	A	AA	AB	AC	AD	B	BA	BB	C	D	E	F	GA	H	HA	HD	K	L
YX355-2	630	126	760	1470	990	1000	230	1460	375	Φ80	170	22	85	355	25	1240	Φ35	1870
YX355-4~6	630	126	760	1470	990	1000	230	1460	375	Φ100	210	28	106	355	25	1240	Φ35	1870
YX400-2	710	130	840	1550	1030	1120	255	1630	400	Φ80	170	22	85	400	30	1430	Φ35	2015
YX400-4~8	710	130	840	1550	1030	1120	255	1630	400	Φ110	210	28	116	400	30	1570	Φ35	2055
YX450-2	800	150	950	1660	1085	1250	250	1750	400	Φ100	200	28	106	450	30	1650	Φ42	2180
YX450-4	800	150	950	1660	1085	1250	250	1750	400	Φ120	210	32	127	450	30	1615	Φ42	2180
YX450-6~12	800	150	950	1660	1085	1250	250	1750	400	Φ130	250	32	137	450	30	1615	Φ42	2220
YX500-2	900	160	1050	1885	1135	1400	240	1880	530	Φ120	210	32	127	500	30	1760	Φ48	2570
YX500-4~12	900	160	1050	1765	1135	1400	240	1880	400	Φ140	250	36	148	500	30	1760	Φ48	2370
YX560-4~12	1060	170	1200	2010	1280	1600	275	2150	450	Φ160	300	40	169	560	30	2190	Φ48	2790
YX630-4~12	1250	185	1400	2220	1380	1800	250	2300	450	Φ180	300	45	190	630	30	2390	Φ56	2965

注：对于IC01电机，冷却空气进出位置需根据最终订货图纸确定。

Note: For IC01 motor, the cooling air inlet and outlet shall be determined according to the final order drawing.

2、YX系列电动机外形及安装尺寸图 (H710~H1000, 极数4~16) 2.YX Series Outline and Mounting dimension(H710~H1000,Poles4~16)

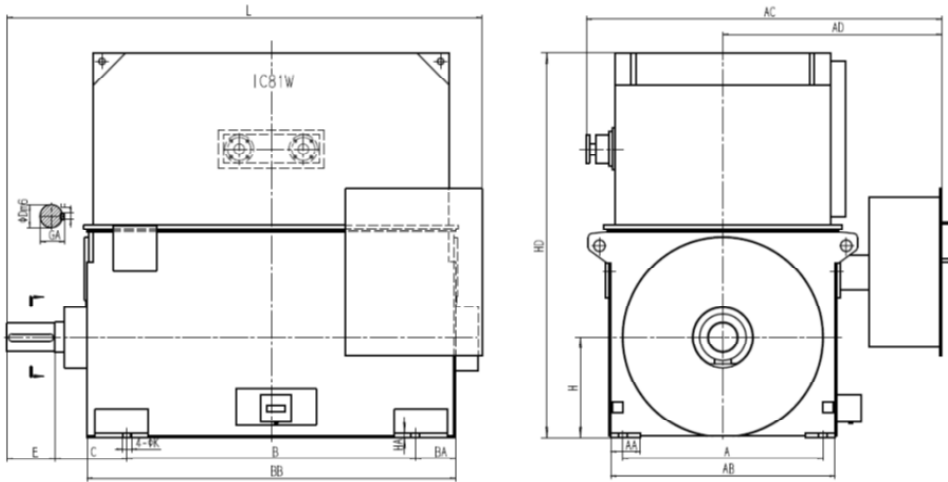


mm

型号-Type	A	A1	AA	AB	AC	B	B1	BA	BB	C	D	E	F	GA	H	HA	HD	K	L
YX710-4~16	1400	1600	270	1706	3400	1800	850	250	2300	530	Φ200	350	45	210	710	43	2600	Φ56	3150
YX800-4~16	1600	1800	270	1906	3600	2000	1000	300	2500	530	Φ220	350	50	231	800	45	3000	Φ56	3450
YX900-4~16	1800	1900	270	2106	4000	2240	1240	230	2700	600	Φ250	410	56	262	900	60	3350	Φ66	3750
YX1000-6~16	2000	2200	300	2306	4200	2500	1300	200	2900	600	Φ280	470	63	292	1000	65	3750	Φ66	4050

3、YXKS系列电动机外形及安装尺寸图(H355~H630, 极数2~12)

3.YXKS Series Outline and Mounting dimension(H355~H630,Poles 2~12)

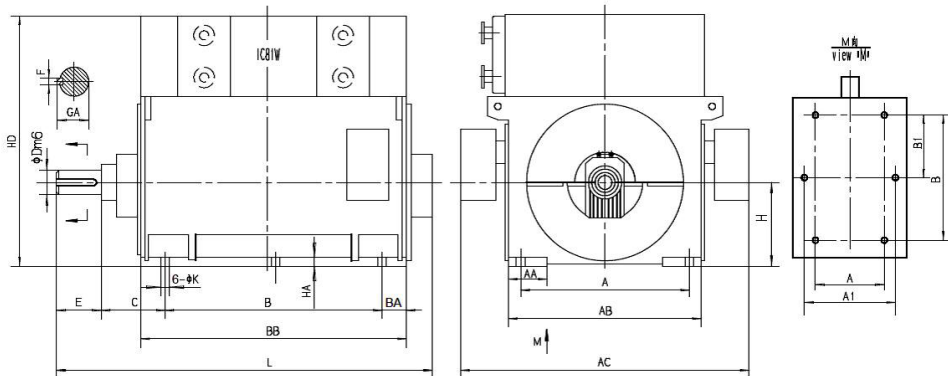


mm

型号-Type	A	AA	AB	AC	AD	B	BA	BB	C	D	E	F	GA	H	HA	HD	K	L
YXKS355-2	630	126	760	1525	990	1000	230	1460	375	Φ80	170	22	85	355	25	1500	Φ35	1870
YXKS355-4~6	630	126	760	1590	990	1000	230	1460	375	Φ100	210	28	106	355	25	1435	Φ35	1865
YXKS400-2	710	130	840	1470	1030	1120	255	1630	400	Φ80	170	22	85	400	30	1620	Φ35	2015
YXKS400-4~8	710	130	840	1670	1030	1120	255	1630	400	Φ110	210	28	116	400	30	1670	Φ35	2055
YXKS450-2	800	150	950	1780	1085	1250	250	1750	400	Φ100	210	28	106	450	30	1920	Φ42	2200
YXKS450-4	800	150	950	1780	1085	1250	250	1750	400	Φ120	210	32	127	450	30	1765	Φ42	2180
YXKS450-6~12	800	150	950	1780	1085	1250	250	1750	400	Φ130	250	32	137	450	30	1765	Φ42	2220
YXKS500-2	900	160	1050	1885	1135	1400	240	1880	530	Φ120	210	32	127	500	30	1760	Φ48	2570
YXKS500-4~12	900	160	1050	1885	1135	1400	240	1880	400	Φ140	250	36	148	500	30	2010	Φ48	2370
YXKS560-4~12	1060	170	1200	2105	1280	1600	275	2150	450	Φ160	300	40	169	560	30	2290	Φ48	2790
YXKS630-4~12	1250	185	1400	2305	1380	1800	250	2300	450	Φ180	300	45	190	630	30	2390	Φ56	2965

4、YXKS系列电动机外形及安装尺寸图(H710~H1000, 极数4~16)

4.YXKSSeries Outline and Mounting dimension(H710~H1000,Poles4~16)



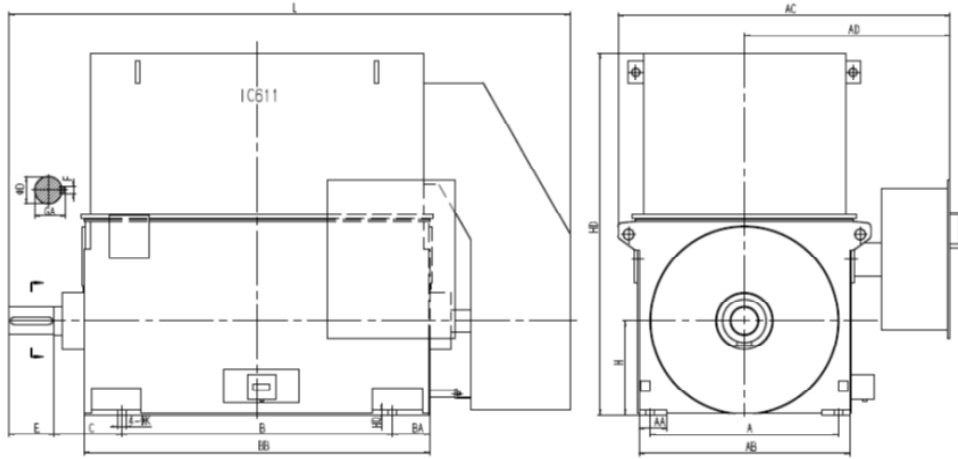
mm

型号-Type	A	A1	AA	AB	AC	B	B1	BA	BB	C	D	E	F	GA	H	HA	HD	K	L
YXKS710-4~16	1400	1600	270	1706	3400	1800	850	250	2300	530	Φ200	350	45	210	710	43	2600	Φ56	3150
YXKS800-4~16	1600	1800	270	1906	3600	2000	1000	300	2500	530	Φ220	350	50	231	800	45	3000	Φ56	3450
YXKS900-4~16	1800	1900	270	2106	4000	2240	1240	230	2700	600	Φ250	410	56	262	900	60	3350	Φ66	3750
YXKS1000-6~16	2000	2200	300	2306	4200	2500	1300	200	2900	600	Φ280	470	63	292	1000	65	3750	Φ66	4050

注：对于YXKS电机，进出水法兰默认位于主出线盒对侧

Note: YXKS motors, the flanges of water outlet and inlet are default on the contralateral side of the main terminal box.

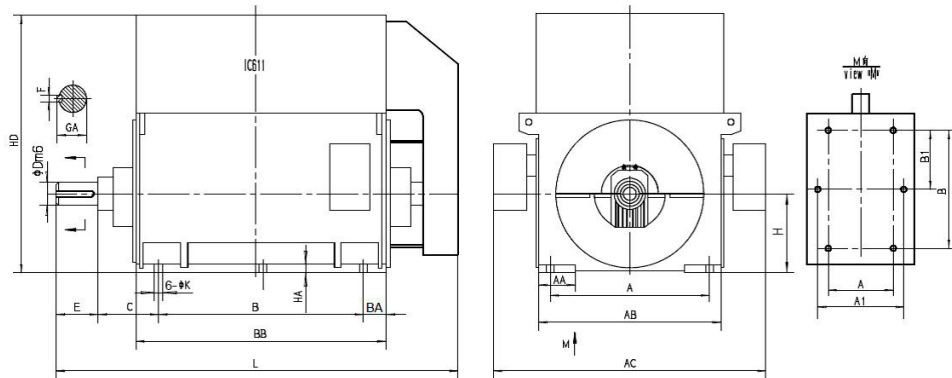
5、YXKK系列电动机外形及安装尺寸图(H355~H630, 极数2~12)
5.YXKK Series Outline and Mounting dimension(H355~H630,Poles 2~12)



mm

型号-Type	A	AA	AB	AC	AD	B	BA	BB	C	D	E	F	GA	H	HA	HD	K	L
YXKK355-2	630	126	760	1470	990	1000	230	1460	375	Φ80	170	22	85	355	25	1550	Φ35	2310
YXKK355-4~6	630	126	760	1470	990	1000	230	1460	375	Φ100	210	28	106	355	25	1235	Φ35	2455
YXKK400-2	710	130	840	1550	1030	1120	255	1630	400	Φ80	170	22	85	400	30	1700	Φ35	2520
YXKK400-4~8	710	130	840	1550	1030	1120	255	1630	400	Φ110	210	28	116	400	30	1570	Φ35	2655
YXKK450-2	800	150	950	1660	1085	1250	250	1750	400	Φ100	210	28	106	450	30	1810	Φ42	3040
YXKK450-4	800	150	950	1660	1085	1250	250	1750	400	Φ120	210	32	127	450	30	1615	Φ42	2790
YXKK450-6~12	800	150	950	1660	1085	1250	250	1750	400	Φ130	250	32	137	450	30	1615	Φ42	2830
YXKK500-2	900	160	1050	1765	1135	1400	240	1880	530	Φ120	210	32	127	500	30	2010	Φ48	3400
YXKK500-4~12	900	160	1050	1765	1135	1400	240	1880	400	Φ140	250	36	148	500	30	1760	Φ48	3110
YXKK560-4~12	1060	170	1200	2010	1280	1600	275	2150	450	Φ160	300	40	169	560	30	2190	Φ48	3495
YXKK630-4~12	1250	185	1400	2220	1380	1800	250	2300	450	Φ180	300	45	190	630	30	2390	Φ56	3740

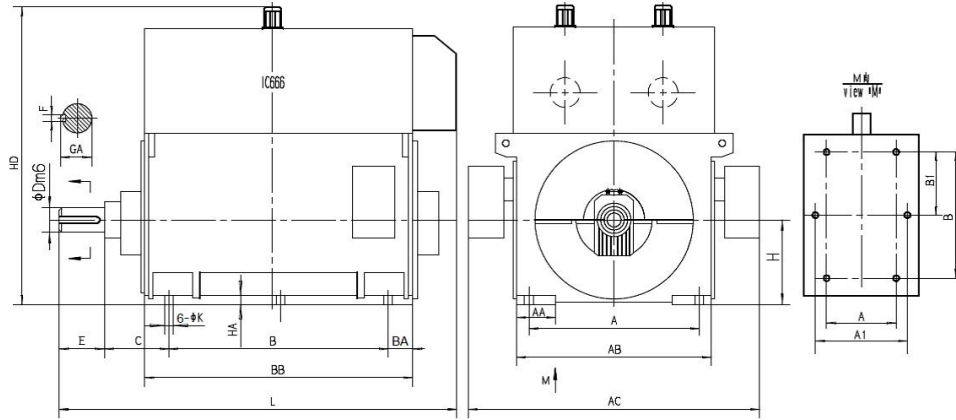
6、YXKK系列电动机外形及安装尺寸图(H710~H1000, 极数4~12)
6.YXKK Series Outline and Mounting dimension(H710~H1000,Poles 4~12)



mm

型号-Type	A	A1	AA	AB	AC	AD	B	BA	BB	C	D	E	F	GA	H	HA	HD	K	L
YXKK710-4~12	1400	1600	270	1706	3400	1800	850	250	2300	530	Φ200	350	45	210	710	43	3650	Φ56	4200
YXKK800-4~12	1600	1800	270	1906	3600	2000	1000	300	2500	530	Φ220	350	50	231	800	45	3850	Φ56	4450
YXKK900-6~12	1800	1900	270	2106	4000	2240	1240	230	2700	600	Φ250	410	56	262	900	60	4050	Φ66	4750
YXKK1000-6~12	2000	2200	300	2306	4200	2500	1300	200	2900	600	Φ280	470	63	292	1000	65	4250	Φ66	5250

7、YXKK系列电动机外形及安装尺寸图(H710~H1000, 极数16)
 7.YXKK Series Outline and Mounting dimension(H710~H1000, Poles 16)



mm

型号-Type	A	A1	AA	AB	AC	AD	B	BA	BB	C	D	E	F	GA	H	HA	HD	K	L
YXKK710-16	1400	1600	270	1706	3400	1800	850	250	2300	530	Φ200	350	45	210	710	43	4050	Φ56	3910
YXKK800-16	1600	1800	270	1906	3600	2000	1000	300	2500	530	Φ220	350	50	231	800	45	4250	Φ56	4200
YXKK900-16	1800	1900	270	2106	4000	2240	1240	230	2700	600	Φ250	410	56	262	900	60	4450	Φ66	4450
YXKK1000-16	2000	2200	300	2306	4200	2500	1300	200	2900	600	Φ280	470	63	292	1000	65	4650	Φ66	4750

十三. 电动机空载的振动限值

1、执行标准:

根据中华人民共和国国家标准《GB 10068-2008 轴中心高为56mm及以上电机的机械振动 振动的测量、评定及限值 (等同采用IEC 60034-14:2007)》，对电机振动提出强制性要求：在标准工况下，电动机空载运行时，工厂试验振动强度的位移、速度限值分别是37um、2.3mm/s。

2、国家标准节选:

《GB 10068-2008 轴中心高为56mm及以上电机的机械振动 振动的测量、评定及限值》中第6章明确指出，在所规定的两种安装条件，轴中心高56mm及以上直流和三相交流电机振动强度应不超过表1中的限值。

转速为600r/min ~ 3600r/min的电机，检查试验时，只需测量振动的速度。型式试验时，所有振动量值都应测量。

注：当检查试验是在自由悬置安装条件下做的，型式试验则必须包括在刚性安装情况下的试验。这一条适用于本标准所有速度范围。

NO-LOAD MOTOR VIBRATION LIMITS

1.Applicable Standards:

According to the standard <GB 10068-2008 Mechanical vibration of certain machines Measurement, evaluation and limits of vibration severity (IEC60034-14:2007, IDT)> issued by The Standardization Administration Committee of the people's Republic of China, it's showing the mandatory requirements of motor vibration: when the motor is running with no-load, vibration strength in the factory testing of displacement and velocity, the limits are 37um, 2.3mm/s.

2.Standard Excerpts:

The vibration magnitude for d.c. and three phase a.c. machines with shaft heights 56 mm and higher, for one of either of the two mounting conditions according to Clause 6, shall not exceed the limits specified in Table 1. Limits are given for two vibration grades. When no grade is specified, machines complying with this standard shall be grade "A". For routine tests of standard machines with speeds between, and including, 600 min⁻¹ and 3 600 min⁻¹, it is sufficient to measure only vibration velocity. All three vibration magnitudes shall be verified during type testing.

NOTE: When the routine test is made with a free-suspension mounting condition, the type test should also include testing with rigid mounting. This note is valid for the whole speed range of this standard.

表1 不同轴中心高H (mm) 用位移、速度和加速度标识的振动强度限值 (方均根值)
Table 1 – Limits of maximum vibration magnitude in displacement, velocity and acceleration (r.m.s.) for shaft height H

振动等级 Vibration grade	轴中心高 Shaft height	56≤H≤132			132<H≤280			280<H		
	安装方式 Mounting	位移 Displac. um	速度 Vel. mm/s	加速度 Acc. m/s ²	位移 Displac. um	速度 Vel. mm/s	加速度 Acc. m/s ²	位移 Displac. um	速度 Vel. mm/s	加速度 Acc. m/s ²
A	自由悬置 Free suspension	25	1.6	2.5	35	2.2	3.5	45	2.8	4.4
	刚性安装 Rigid mounting	21	1.3	2.0	29	1.8	2.8	37	2.3	3.6
B	自由悬置 Free suspension	11	0.7	1.1	18	1.1	1.7	29	1.8	2.8
	刚性安装 Rigid mounting	-	-	-	14	0.9	1.4	24	1.5	2.4

注1: 等级“A”适用于对振动无特殊要求的电机。
NOTE 1: Grade "A" applies to machines with no special vibration requirements.

注2: 等级“B”适用于对振动有特殊要求的电机。轴中心高小于132mm的电机，不考虑刚性安装。
NOTE 2: Grade "B" applies to machines with special vibration requirements. Rigid mounting is not considered acceptable for machines with shaft heights less than 132 mm.

注3: 位移与速度，速度与加速度的接口频率分别为10Hz和250Hz。
NOTE 3: The interface frequencies for displacement/velocity and velocity/acceleration are 10 Hz and 250 Hz respectively.

注1: 制造厂和用户应考虑到检测仪器可能有±10%的测量容差。
注2: 以相同机座带地脚卧式电机的轴中心高作为机座无地脚电机、地脚朝上安装式电机或立式的轴中心高。
注3: 一台电机，自身平衡较好且振动强度等级符合表1的要求，但安装在现场中因受各种因素，如地基不平、负载机械的反作用以及电源中纹波电流的影响等等，也会显示较大的振动。另外，由于所驱动的诸单元的固有频率与电机旋转体微小残余不平衡的激励频率极为接近也会引起振动，在这些情况下，不仅只是对电机，而且对装置中的每一个单元都要检验，见GB/T 6075.3-2011 (ISO 10816-3)。

NOTE 1: The manufacturer and the purchaser should take into account that the instrumentation can have a measurement tolerance of ± 10 %.
NOTE 2: The shaft height of a machine without feet, or a machine with raised feet, or any vertical machine is to be taken as the shaft height of a machine in the same basic frame, but of the horizontal shaft foot-mounting type.
NOTE 3: A machine which is well-balanced in itself and of a grade conforming with Table 1, may exhibit large vibrations when installed in-situ arising from various causes, such as unsuitable foundations, reaction of the driven machine, current ripple from the power supply, etc. Vibration may also be caused by driving elements with a natural oscillation frequency very close to the excitation due to the small residual unbalance of the rotating masses of the machine. In such cases, checks should be carried out not only on the machine, but also on each element of the installation. (See GB/T 6075.3-2011 (ISO 10816-3)).

十四. 电动机负载的振动限值

1、执行标准:

根据中华人民共和国国家标准《GB/T 6075.3-2011 在非旋转部件上测量和评价机器的机械振动 第3部分: 额定功率大于15kW额定转速在120r/min至15000r/min之间的在现场测量的工业机器(等同采用ISO 10816-3:2009)》, 对电机振动提出推荐性要求: 在标准工况下, 电动机负载运行时, 振动强度的位移、速度限值分别是57 μ m、4.5mm/s。

2、国家标准节选:

《GB/T 6075.3-2011 在非旋转部件上测量和评价机器的机械振动 第3部分: 额定功率大于15kW额定转速在120r/min至15000r/min之间的在现场测量的工业机器》中第5章明确指出, 下列评价区域的确定可对给定机器振动作定型评价, 并对可能采取的方法提供指南。

区域A: 新交付的机器的振动通常属于该区域。

区域B: 机器振动处在该区域通常可长期运行。

区域C: 机器振动处在该区域一般不适宜作长时间连续运行, 通常机器可在此状态下运行有限时间, 指导有采取补救措施的合适时机为止。

区域D: 机器振动处在该区域其振动强度足以导致机器损坏。

指定的区域边界值并不直接起验收规范作用, 验收规范应由机器制造商与用户之间的协议决定。然而, 这些数据作为指南可避免某些不足与不切实际的要求。在某些情况下机器可能有特殊性能, 要求采用不同的区域边界值(增大或减小), 在这种情况下, 通常要求机器制造商必须说明其理由, 并且要特别确保机器在较高振动值下运行不会损坏。

LOADED MOTOR VIBRATION LIMITS

1.Applicable Standards:

According to the standard <GB/T 6075.3-2001 Mechanical vibration--Evaluation of machine vibration by measurements on non-rotating parts--Part 3: Industrial machines with nominal power above 15kW and nominal speeds between 120r/min and 15000r/min when measured in situ(ISO 10816-3:2009,IDT)> issued by The Standardization Administration Committee of the people's Republic of China, it's showing the recommendatory requirements of motor vibration: when the motor is running with rated-load, vibration strength in the factory testing is three targets of vibration displacement and velocity, and the limits are 57 μ m, 4.5mm/s.

2.Standard Excerpts:

According to Clause 5 in the standard <GB/T 6075.3-2011 Mechanical vibration--Evaluation of machine vibration by measurements on non-rotating parts--Part 3: Industrial machines with nominal power above 15kW and nominal speeds between 120r/min and 15000r/min when measured in situ(ISO 10816-3:2009,IDT)>, The following evaluation zones are defined to permit a qualitative assessment of the vibration of a given machine and provide guidelines on possible actions.

Zone A: The vibration of newly commissioned machines normally falls within this zone.

Zone B: Machines with vibration within this zone are normally considered acceptable for unrestricted long term operation.

Zone C: Machines with vibration within this zone are normally considered unsatisfactory for long-term continuous operation. Generally, the machine may be operated for a limited period in this condition until a suitable opportunity arises for remedial action.

Zone D: Vibration values within this zone are normally considered to be of sufficient severity to cause damage to the machine.

The specified regional boundary value does not directly play a role in the acceptance specification, and the acceptance specification shall be determined by the agreement between the machine manufacturer and the user. However, these data can be used as a guide to avoid some of the shortcomings and unrealistic requirements. In some cases the machine may have special properties that require a different regional boundary value (increase or decrease), and in this case, the machine manufacturer is usually required to explain its reasons, and to Ensure that the machine is operated at higher vibration values without damage.

See table A1, related evaluation zone limits can be shown clearly in table A1.

参见附录A, 评价区域界线, 其对相关振动边界区域给出了明确要求, 见表A1。

See table A1, related evaluation zone limits can be shown clearly in table A1.

表A1 振动烈度区域分类

第一组机器: 额定功率大于300kW并且小于50MW的大型机组; 转轴高度 $H \geq 315$ mm的电机。

Table A.1 — Classification of vibration severity zones for machines of Group 1: Large machines with rated power above 300 kW and not more than 50 MW; electrical machines with shaft height $H \geq 315$ mm

支撑类型 Support class	区域边界 Zone boundary	位移均方根值/ (μm) r. m. s. displacement	速度均方根值/ (mm/s) r. m. s. velocity
刚性 Rigid	A/B	29	2.3
	B/C	57	4.5
	C/D	90	7.1
柔性 Flexible	A/B	45	3.5
	B/C	90	7.1
	C/D	140	11.0

注1: 运行限值: 为了长期运行, 通常设定运行振动限值, 限值采用报警值和停机值。

Note 1: For long-term operation, it is common practice to establish operational vibration limits. These limits take the form of ALARMS and TRIPS.

注2: 报警值设定: 建议报警值通常不应超过区域B上限的1.25倍。

Note 2: It is recommended that the ALARM limit not normally exceed 1,25 times the upper limit of zone B.

注3: 停机值设定: 建议停机值不应超过区域C上限的1.25倍。

Note 3: It is recommended that the TRIP limit not exceed 1,25 times the upper limit of zone C.

十五. 电动机空载噪音限值

1、执行标准:

根据中华人民共和国国家标准《GB 10069.3-2008 旋转电机噪音测定方法及限值 第3部分: 噪音限值》, 噪音可用声功率级或声压级标识, 单位均为分贝 (dB)。电机噪音一般按照声功率级考核, 声功率级和声压级数值根据电机大小 (包络面面积) 不同有较大差异, 一般情况下声功率级比声压级数值大15~18分贝。

2、国家标准节选:

《GB 10069.3-2008 旋转电机噪音测定方法及限值 第3部分: 噪音限值》中第6章明确指出, 电动机在空载工况下, 对应不同转速、冷却方式、额定功率情况下所测得的声功率级Lw (dB) 规定不得超过下表1数值。

MOTOR NOISE LIMITS

1.Applicable Standards:

According to the standard <GB 10069.3-2008 Measurement of airborne noise emitted by rotating electrical machines and the noise limits—Parts 3:Noise limits (IEC60034-9:2007,IDT)>issued by The Standardization Administration Committee of the people's Republic of China, Motor noise can be marked by the sound power level and sound pressure level, the SI is dB. Motor noise usually checked by the sound power level, the sound power level is every different from the sound pressure level limits with the motor size (envelope surface), in the usual condition, motor sound power level limits is bigger than sound pressure level limits about 15-18dB.

2.Standard Excerpts:

According to Clause 6 in <GB 10069.3-2008 Measurement of airborne noise emitted by rotating electrical machines and the noise limits—Parts 3:Noise limits>, the sound power noise level shall be not exceed the limits in table 1 as follows, when motor run with no-load corresponding with the different speed, different cooling method and different rated power.

表1 空载最大A计权声功率级LwA (dB) (部分内容节选)

(冷却方式, IC的代码, 见GB/T 1993-1993) (防护等级, IP的代码, 见GB/T 4942.1-2006)

Table 1 -Maximum A-weighted sound power level, LwA in dB, at no-load (excerpts)

(Method of cooling, IC code, see IEC60034-6) (Method of protection, IP code, see IEC60034-5)

额定转速 Rated speed n _n /r/min	n _n ≤960			960<n _n ≤1320			1320<n _n ≤1900			1900<n _n ≤2360			2360<n _n ≤3150			3150<n _n ≤3750		
冷却方式 IC 防护等级 IP	①	②	③	①	②	③	①	②	③	①	②	③	①	②	③	①	②	③
额定输出 P _N /kW (kVA) Out power P _N /kW (kVA)	①冷却方式IC01、IC11、IC21及防护等级IP22、IP23。 ②冷却方式IC411、IC511、IC611及防护等级IP44、IP55。 ③冷却方式IC31、IC71W、IC81W、IC8A1W7及防护等级IP44、IP55。									IC code IC01、IC11、IC21 and IP code IP22、IP23。 IC code IC411、IC511、IC611 and IP code IP44、IP55。 IC code IC31、IC71W、IC81W、IC8A1W7 and IP code IP44、IP55。								
1≤P _N ≤220	略(详见标准第6页) ellipsis (see page 6)																	
220<P _N ≤550	99	102	98	103	105	100	106	108	102	106	109	102	107	111	102	110	113	105
550<P _N ≤1100	101	105	100	106	108	103	108	111	104	108	111	104	109	112	104	111	116	106
1100<P _N ≤2200	103	107	102	108	110	105	109	113	105	109	113	105	110	113	105	112	118	107
2200<P _N ≤5500	105	109	104	110	112	106	110	115	106	111	115	107	112	115	107	114	120	109

3、相关注释:

本标准中并没有对声压级做出具体要求, 但当用户对声压级提出具体要求时, 可根据下列公式直接计算得出:

$$L_p = L_w - 10 \cdot \lg(S/S_0)$$

其中: L_p为距离电机1m包络面上的自由场声压级;

L_w为标准的声功率级;

S₀为1.0m²;

S为距基准体1m的电机测量包络面积。

3.Annotation

This standard don't mention the requirement of sound pressure level limits, but when customers desire the noise should be checked by sound pressure level, it's easy to transfer by the formula as follow.

$$L_p = L_w - 10 \cdot \lg(S/S_0)$$

Among the formula:

L_p is the sound pressure level value at 1m distance from the tasting motor,

L_w is the sound power level value from the standard,

S₀ is the constant value 1.0m²,

S is the envelope surface at 1m distance from the tasting motor.

十六. 电动机防护等级 (IP)

1、执行标准:

根据中华人民共和国国家标准《GB 4942-1 旋转电机整体结构的防护等级 (IP代码) 分级 (等同采用 IEC 60034-5)》，对旋转电机的防护等级表征作出了详细说明。

2、国家标准节选:

《GB 4942-1 旋转电机整体结构的防护等级 (IP代码) 分级》中第4、5章明确指出了旋转电机的防护等级(IP)所表征的含义。

PROTECTION DEGREE (IP)

1.Applicable Standards:

According to <GB 4942-1 Degrees of protection by the integral design of rotating electrical machined (IP code)-Classification (IEC60034-5, IDT)>issued by The Standardization Administration Committee of the People's Republic of China, it' s showing the detailed description about the motor protection degrees.

2.Standard Excerpts:

According to clause 4 and clause 5 in the standard <GB 4942-1 Degrees of protection by the integral design of rotating electrical machined (IP code)-Classification (IEC60034-5, IDT)>, the meaning of the protection degree (IP) of the rotary motor is clearly pointed out in the following sheet.

IP	防物 Anti-solid objects		防水 Anti-water	
	第一位表征数字 First numeral	简称 Definition	第二位表征数字 Second numeral	简称 Definition
	0	无防护电机 Non-protected motor	0	无防护电机 Non-protected motor
	1	防护大于50mm物体电机 Anti-solid objects bigger than 50mm motor	1	防滴电机 Anti-dripping water motor
	2	防护大于12mm物体电机 Anti-solid objects bigger than 12mm motor	2	15° 防滴电机 Anti-dripping water with titled up to 15° motor
	3	防护大于2.5mm物体电机 Anti-solid objects bigger than 2.5mm motor	3	防淋水电机 Anti-spraying water motor
	4	防护大于1mm物体电机 Anti-solid objects bigger than 1mm motor	4	防溅水电机 Anti-splashing water motor
	5	防尘电机 Dust-protected	5	防喷水电机 Anti- water jets
	6	尘密电机 Dust-tight	6	防海浪电机 Anti-heavy seas
	--	--	7	防浸水电机 Anti-effects of immersion
	--	--	8	持续潜水电机 Anti-effects of continuous submersion

十七. 电动机冷却方式（IC）

1、执行标准：

根据中华人民共和国国家标准《GB 1993 旋转电机冷却方法(等同采用IEC 60034-6)》，对旋转电机的冷却方式表征作出了详细说明。

2、国家标准节选：

《GB 1993 旋转电机冷却方法》中第5、6章明确指出了旋转电机的冷却方式(IC)所表征的含义。

COOLING METHOD (IC)

1.Applicable Standards:

According to <GB 1993 Cooling methods for rotating electrical machines (IEC60034-6, IDT)>issued by The Standardization Administration Committee of the People's Republic of China, it's showing the detailed description about the motor cooling methods.

2.Standard Excerpts:

According to clause 5 and clause 6 in the standard < GB 1993 Cooling methods for rotating electrical machines (IEC60034-6, IDT)>, the meaning of the cooling methods (IC) of the rotary motor is clearly pointed out in the following sheet.

	冷却回路布置 Circuit arrangement	初级冷却介质 Primary Coolant	初级介质推动方式 Primary Coolant Method Of Movement	次级冷却介质 Secondary Coolant	次级介质推动方式 Secondary Coolant Method Of Movement
IC	0 自由循环 Free circulation	A*	空气 Air	0 自由交换 Free convection	A* 0*
	1 进口开路循环 Inlet pipe or inlet duct circulated	F	氟利昂 Refrigerant	1 自循环 Self-circulation	F 1
	2 出口开路循环 Outlet pipe or outlet duct circulated	H	氢气 Hydrogen	2 备用 Reserved	H 2
	3 进出口开路循环 Inlet and outlet pipe or duct circulated	N	氮气 Nitrogen		N 3
	4 机壳表面冷却 Frame surface cooled	C	二氧化碳 Carbon Dioxide		C 4
	5 内装式冷却器（周围介质） Integral heat exchanger (using surrounding medium)	W	水 Water	5 内装式独立组件 Integral independent component	W 5
	6 外装式冷却器（周围介质） Machine-mounted heat exchanger (using surrounding medium)	U	油 Oil	6 外装式独立组件 Machine-mounted Independent component	U 6
	7 内装式冷却器（远方介质） Integral heat exchanger (using remote medium)	S	其他 Any other coolant	7 分装式独立组件或系统压力 Separate and Independent component or coolant system pressure	S 7*
	8 外装式冷却器（远方介质） Machine-mounted heat exchanger (using remote medium)	Y	未规定 Coolant not yet selected	8 相对运动 Relative displacement	Y 8
	9 分装式冷却器 Separate heat exchanger	--	--	9 其他部件 All other components	-- 9

注：带“*”的表征内容可在简化标志中省略。

Note: The contents signed "*" can be omitted in the simplified mark.

电机常用冷却方式对照表
Motor IC methods mark comparative table

简化标志 Simplified mark	完整标志 Complete mark
IC01	IC0A1
IC611	IC6A1A1
IC666	IC6A6A6
IC81W	IC8A1W7

十八. 电动机色标

1、执行标准:

根据中华人民共和国国家标准《GB 05-1426-2001漆膜颜色标准样卡》和《德国RAL色标样卡》，并结合我公司多年来总结归纳的用户要求，综合所有需求和优缺点分析，并制定符合国际标准的颜色供用户选择。

2、推荐色标: Recommend Color Code

YX、YXKS、YXKK 系列电动机 YX、YXKS、YXKK Series Motor	RAL7035 浅灰色（半哑光） French grey (Semi matte)	基准色（厂标） Basic color (Works standard)	
	GY01 豆绿色（半哑光） Beans green (Semi matte)	备选色 Standby	
	RAL5012 淡蓝色（半哑光） Light blue (Semi matte)	备选色 Standby	
<p>注1: 由于印刷的问题, 以上色标与实际产品可能存在差异, 以实物色卡为准 NOTE 1: Because of the printing differences, the color above will be subjected to the color code.</p> <p>注2: 如用户有异于上述色标的要求, 请务必在订货时提出。 NOTE 2: Other color of motor can be provided after confirmed by SEMC in your order.</p>			

3、实物参考: Reference



十九. 系列说明

SERIES DESCRIPTION

系列 Series		YX系列 YX Series	YXKS系列 YXKS Series	YXKK系列 YXKK Series
机座号 Frame NO.		H355~1000mm		
极数 Poles		4、6、8、10、12、16		
功率 Power		355kW~14000kW		355kW~12500kW
电压等级 Voltage		6000V、10000V		
IM 安装方式 Mounting arrangement		IMB3 (IM1001)		
出线盒方向 Direction of terminal box		主出线盒、加热器出线盒、测量出线盒在右侧，中性点出线盒（如有）在左侧 Main terminal, space heater, RTD box be mounted on the right, neutral box (if) on the left.		
进出油方向 Direction of lubricating oil		右进左出 Oil inlet from right, outlet from left.		
进出水方向 Direction of cooling water		左侧（在主出线盒对面） Water inlet and outlet be mounted on the left. (On the opposite side of the main terminal box)		
IP 防护等级 Protection degree	本体 Body	IP23	IP55	IP55
	接线盒 Terminal box	IP55		
IC 冷却方式 Cooling method	H355~630	IC01	IC81W	IC611
	H710~800			4P~12P: IC611 16P: IC666
	H900~1000			6P~12P: IC611 16P: IC666
旋转方向 Direction of rotation	H355~630	4P~6P: 单向旋转; 4P~6P: Unidirectional rotation; 8P~12P: 双向旋转; 8P~12P: Bidirectional rotation.		
	H710~1000	4P~12P: 单向旋转; 4P~12P: Unidirectional rotation; 16P: 双向旋转; 16P: Bidirectional rotation.		
测温元件 RTDs	绕组 Winding	双支三线制PT100, 2只/相, 共6只。 There-wires Dual PT100, two per phase, total six.		
	轴承 Bearing	双支三线制PT100, 1只/端, 共2只。 There-wires Dual PT100, one per bearing, total two.		
涂装 Painting	常规内陆 Inland	漆膜厚度80 μm. Thickness 80 um.		
	露天户外 Outdoor	漆膜厚度160 μm. Thickness 160 um.		
	靠海内陆 By the sea	中度防腐C3; 漆膜厚度200 μm. Anticorrosion grade: C3; Thickness 200 um.		
	沿海海边 Coastland	强防腐C4; 漆膜厚度240 μm. Anticorrosion grade: C4; Thickness 240 um.		
	海上环境 On the sea	重度防腐C5; 漆膜厚度320 μm. Anticorrosion grade: C5; Thickness 320 um.		
色标 Color code	RAL7035 浅灰色 (半哑光) French grey (Semi matte)			

注: 1) 所有“方向”的确定均为面对电动机主轴伸端。

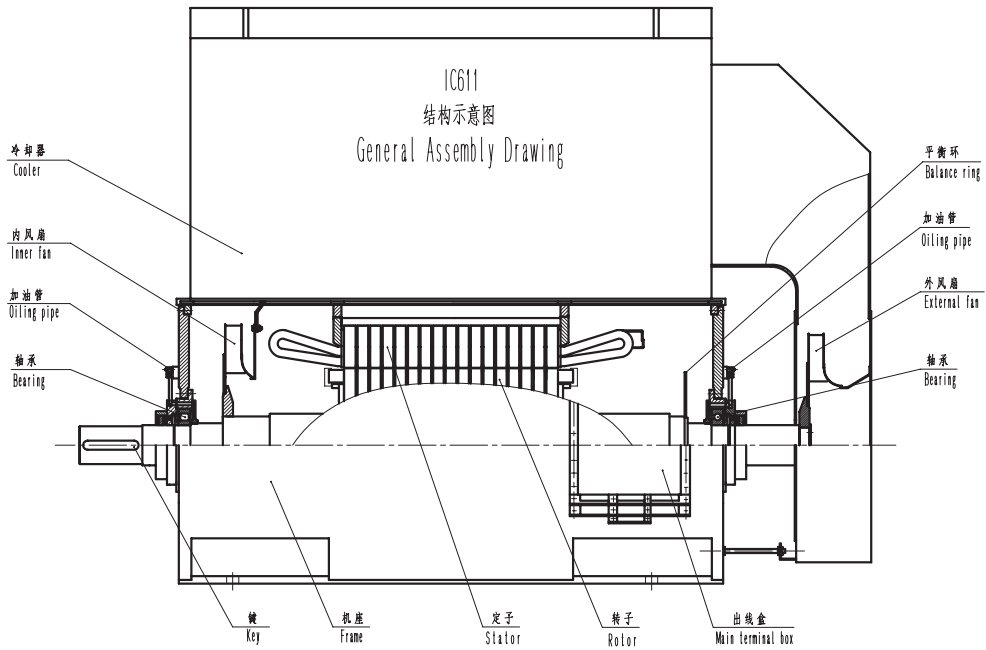
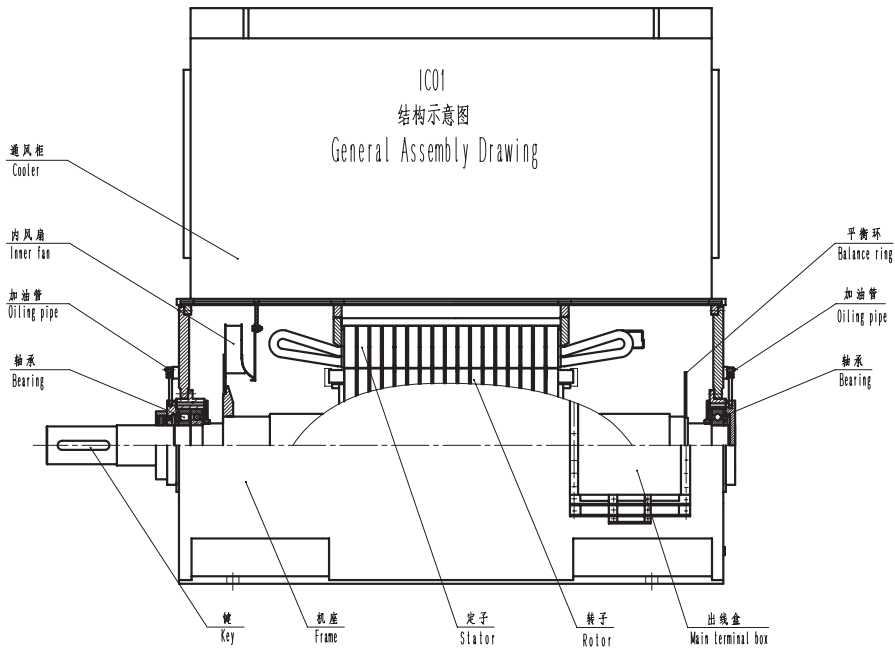
2) 如有其它要求, 可另行商议。

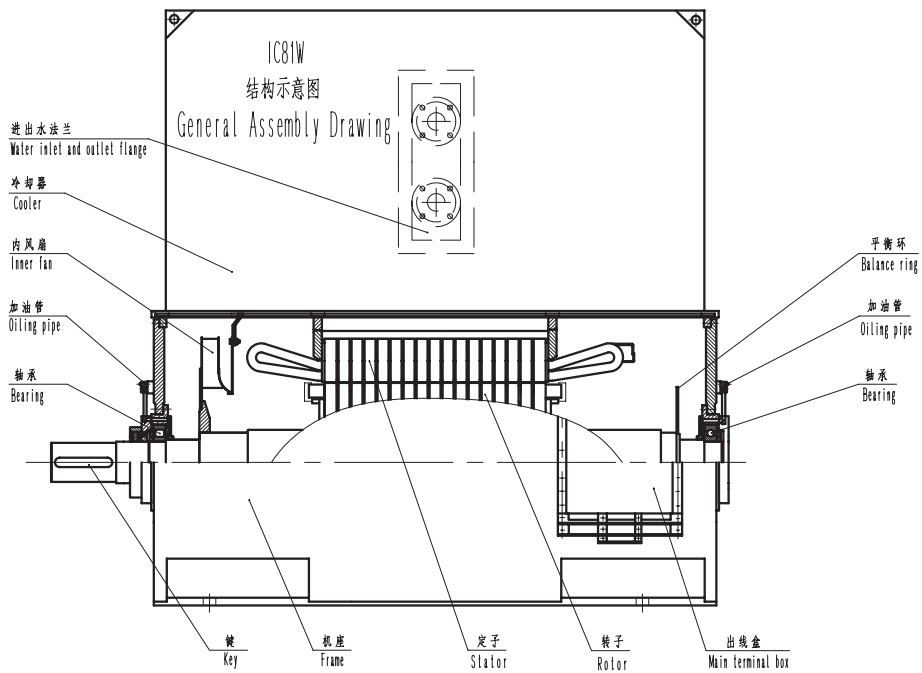
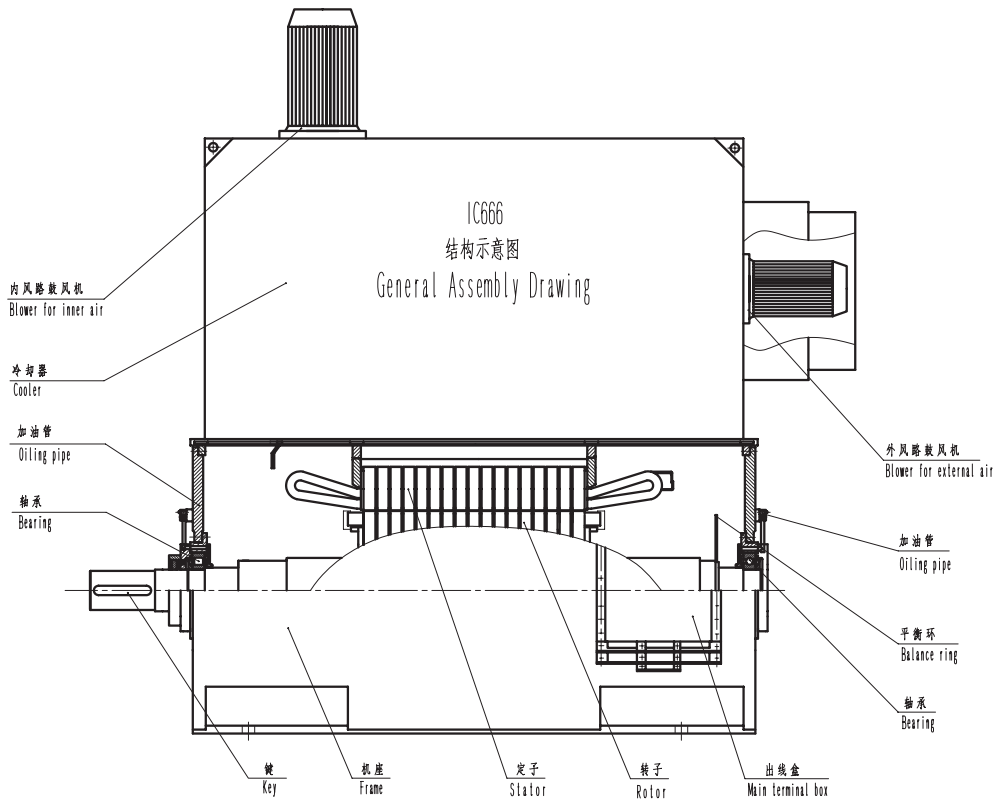
Note: 1) All the 'direction' are based on viewing from motor main shaft end.

2) Other requirement should be negotiated.

二十. 电动机结构示意图

GENERAL ASSEMBLY DRAWING





销售部各销售处联系方式 Contacts of Sales office

销售处	办事处	电 话	传 真	地 址	邮 编
上 海	本 部	021-54753161	021-64632422	上海市闵行区江川路555号	200240
	杭 州	0571-86855862	0571-87150796	杭州市下城区白石路灯塔家园4幢1单元1203室	310004
华 东	南 京	025-85639893	025-85504621	南京市雨花台区玉兰路5号仁恒翠竹园16幢806室	210012
	济 南	0531-86023020	0531-86023020	济南市经三路8号西楼17-3室	250001
华 南	广 州	020-38851791	020-38851796	广州市天河区天河北路255号荟雅苑A座805室	510610
	南 宁			南宁市明秀西路水悦龙湾3-1单元2301室	530001
西 北	西 安	029-87813271	029-88218773	西安市唐延路3号唐延国际中心3号楼1单元1401室	710065
	新 疆	0991-3335302	0991-3335302	乌鲁木齐市新市区鲤鱼山路888号盈科山水华庭21栋4单元802室	830000
	银 川	0951-6040290	0951-6040290	银川市金凤区上海西路金海月明小区2号楼2单元801室	750002
西 南	成 都	028-85092849	028-87022970	成都市青羊区东坡北3路99号碧华邻小区5栋1单元301室	610074
		0851-5973496	0581-5973496	贵阳市南明区花果园B北区1栋106室	550000
		023-63814383	023-63814383	重庆市渝中区大坪彭家花园附6号心巢小区8单元14-3室	400010
华 北	北 京	010-68492301	010-68492306	北京市海淀区首体南路6号新世纪日航饭店写字楼1655室	100078
	包 头	0472-5198489	0472-5198489	包头市昆都仑区江南文枢苑1期3栋4单元1009	014010
	太 原	0351-5698348	0351-5698140	太原市平阳路186号华汇小区尚领世家1205号	030006
	天 津	022-84282021	022-84282021	天津市河东区融科金月湾花园3-1002室	300170
		0311-86955276	0311-86955279	石家庄市新华路278号1号楼1单元904室	050000
		0315-2738489	0315-2738356	唐山市路北区新华一号6号楼908室	036003
东 北	沈 阳	024-88579015	024-88522191	沈阳市铁西区虹桥路10-3（和皇家二期）3号楼402室	110041
	哈 尔 滨	0451-53652250	0451-53652250	哈尔滨市南岗区中兴大道555号东辉明珠苑G8栋三单元602室	150086
华 中	武 汉	027-86700792	027-86700792	武汉市武昌区铁路路保利才盛景苑8-2-2901室	430062
	长 沙	0731-85117298	0731-85117298	长沙市天心区芙蓉南路一段758号和庄A2栋2111室	410009
	郑 州	0371-66355721	0371-66355721	郑州市郑东新区普惠路2号新里·卢浮公馆二期5号楼2单元14层189室	450004
海 外	Overseas	021-64630006	021-64632422	555 Jiangchuan Road Minhang Shanghai China	200240

注: 如您在选型过程中遇到任何疑问, 请致电我公司全国各大销售处。

Note: Please contact our sale offices if you have any question about the motor selection.

上海电气集团上海电机厂有限公司
Shanghai Electric Machinery Co., Ltd. (SEC)

地址: 中国上海闵行江川路555号

ADD: 555 Jiangchuan Road, Minhang Shanghai China

电话(TEL): 021-64638221 传真(FAX): 021-64632422

客服电话(CSH): 4008803505

邮编(P.C): 200240

网址: <http://www.shanghai-electric.com>

技术版本号: SEMC-SDP-YX-1704-GS_REV. 1